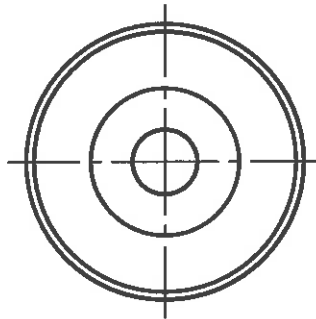
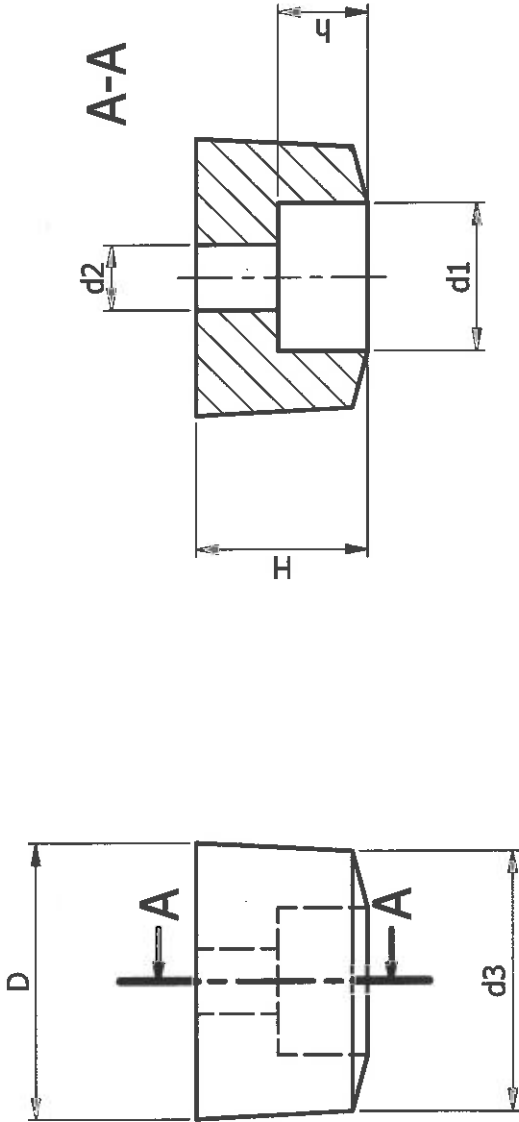


© 2011 Moss Plastic Parts Ltd. All rights reserved.
 Registered in England, Company No. 547495.
 Registered Office: Avebury House,
 201-249 Avebury Boulevard, Milton Keynes, MK9 1AU
 Condition of Sale can be found on our website:
 mossexpress.com. Moss Express is a trading name of Moss
 Plastic Parts Ltd.

Moss Plastic Parts Ltd does not warrant that the files will be
 error free and may create new versions ("Upgrades") at any
 time, which may correct such errors. Moss Plastic Parts Ltd
 has no obligation to notify you of such upgrades. Any
 upgraded file will be published to the website, when it
 becomes available.

You are not permitted to load any of the files on to a network
 server for the purposes of distribution to one or more other
 computer(s) on that network or to effect such distribution.
 Moss Plastic Parts Ltd shall not be liable for any loss or
 damage whatsoever or however caused, arising directly or
 indirectly from the use of the files.



ITEM	MATERIAL	H	D	d3	d1	d2	h
60470	LDPE	7.1	15.9	13.5	7.9	3.2	4.0

UNCONTROLLED

UNLESS OTHERWISE STATED	
ALL DIMENSIONS IN mm	DO NOT SCALE
LINEAR TOLERANCE	THIRD ANGLE PROJECTION
SIZE (0) (0.00)	
0-10mm ±0.5 ±0.15 ±0.10	
10-30mm ±0.5 ±0.20 ±0.15	
30-50mm ±0.5 ±0.30 ±0.20	
50-100mm ±0.8 ±0.50 ±0.25	
100-200mm ±1.5 ±0.80 ±0.40	
200-300mm ±2.0 ±1.20 ±0.80	
300-500mm ±3.0 ±2.00 ±1.00	
+500mm ±5.0 ±3.00 ±1.50	
ANGULAR TOLERANCE ±0.5 DEGREES	
UNSPECIFIED RADIUS 0.25mm	
DRAFT ANGLE 0.5 DEGREES	
ORG.SCALE 2:1	

POLYETHYLENE	
BASSE DENSITE	
MATERIAL	LDPE / TPR
ITEM No.	60470
TITLE	SCREW-ON FEET
DWG.No.	SR1590-1-1
ISSUE No.	1