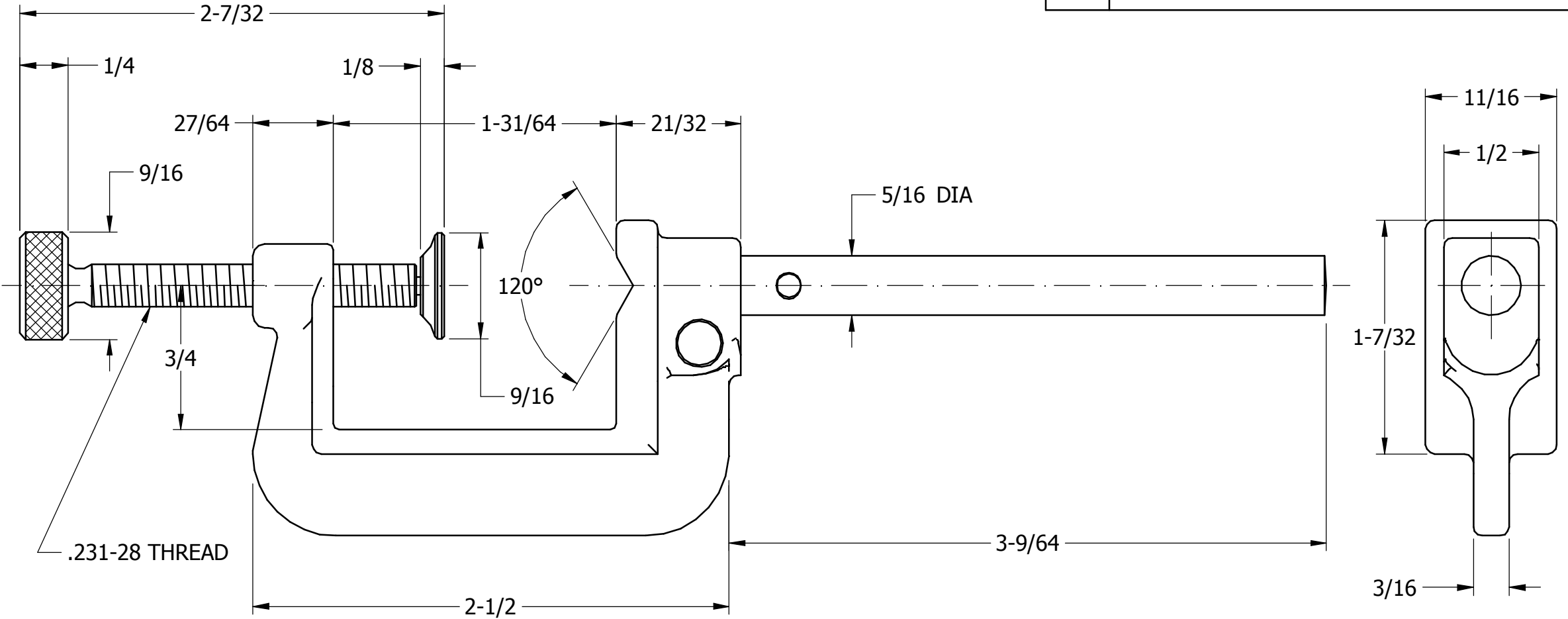


OPER

TOOLS



REV	DESCRIPTION	DATE	BY
DR	JEG	CHK	DATE
CLAMP			
THE L.S. STARRETT CO. ATHOL, MASS.			

FRACTIONAL TOLERANCE $\pm 1/64$ UNLESS OTHERWISE NOTED