

H 2400

ISO 11901 - 4
39D 838 (VW)

VDI 3003 Blatt 4

B2 4008 (BMW)

075.90.65 (FCA)



OSAS + OSM = OVER STROKE ACTIVE SAFETY + OVER STROKE MARKER

ACTIVE SAFETY



OSAS



USAS



OPAS

Il nuovo codice sarà fornito solo ad esaurimento del vecchio

The new code will be supplied only when the old will be out of stock

Der neue Kode wird geliefert nur wenn der alte nicht mehr im Lager ist

Le nouveau code sera fourni uniquement lorsque le vieux stock sera écolé

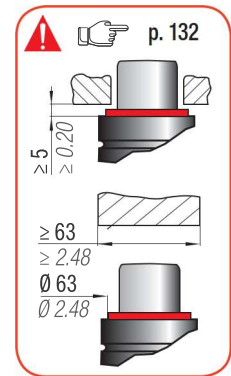
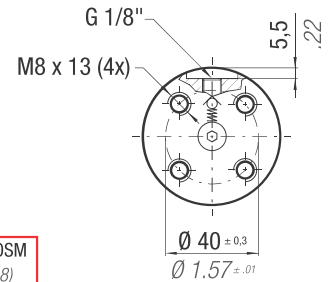
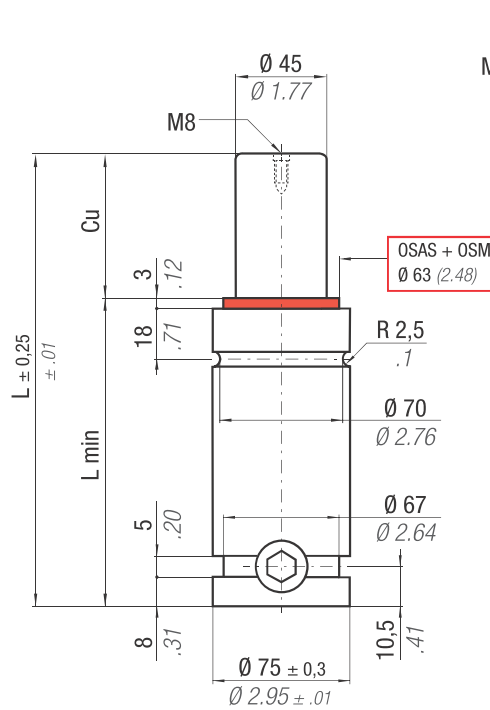
El nuevo código será suministrado sólo cuando el viejo está fuera de stock

O novo código irá ser fornecido apenas quando o antigo esgotar stock

easu MANIFOLD p. 241

* F_{1i} = Isothermal end force at 100% Cu p. 18

** F_{1p} = Polytropic end force at 100% Cu



N ₂		$^{\circ}\text{F}$ 32 - 176	$^{\circ}\text{C}$ 0 - 80	ΔP $\pm 0,33\% / ^{\circ}\text{C}$	P max 150 bar 2175 psi	P min 20 bar 290 psi	S 15,90 cm ² 2,465 in ²	SPM ~ 15 ÷ 100 (at 20°C)	Max Speed 1,8 m/s	Maintenance kit See Tab below								
CODE	NEW	Cu		L		L min		F₀		F_{1i} *		F_{1p} **		V₀				
PHASING OUT from 01/2018		mm	inch	mm	inch	mm	inch	daN	lb	daN	lb	daN	lb	cm ³	in ³	~Kg	~lb	2014/68/EU
H 2400 - 025 - C	H 2400 - 025 - D	25	0.98	160	6.30	135	5.31	2385 5362 ± 5%		3238	7279	3745	8419	176,0	10.74	3,34	7.36	✓
H 2400 - 038 - C	H 2400 - 038 - D	38	1.50	186	7.32	148	5.83			3442	7738	4062	9132	228,0	13.91	3,55	7.83	✓
H 2400 - 050 - C	H 2400 - 050 - D	50	1.97	210	8.27	160	6.30			3573	8032	4269	9597	276,0	16.84	3,75	8.27	✓
H 2400 - 063 - C	H 2400 - 063 - D	63	2.48	236	9.31	173	6.81			3678	8268	4436	9973	329,0	20.07	3,96	8.73	✓
H 2400 - 075 - C	H 2400 - 075 - D	75	2.95	260	10.24	185	7.28			3752	8435	4555	10240	377,0	23.00	4,15	9.15	✓
H 2400 - 080 - C	H 2400 - 080 - D	80	3.15	270	10.63	190	7.48			3778	8493	4597	10334	397,0	24.22	4,23	9.33	✓
H 2400 - 100 - C	H 2400 - 100 - D	100	3.94	310	12.20	210	8.27			3863	8684	4735	10645	478,0	29.16	4,51	9.94	✓
H 2400 - 125 - C	H 2400 - 125 - D	125	4.92	360	14.17	235	9.25			3939	8855	4859	10923	578,0	35.26	4,91	10.82	✓
H 2400 - 150 - C	H 2400 - 150 - D	150	5.91	410	16.14	260	10.24			3994	8979	4949	11126	679,0	41.42	5,32	11.73	✓
H 2400 - 160 - C	H 2400 - 160 - D	160	6.30	430	16.93	270	10.63			4012	9019	4979	11193	719,0	43.86	5,49	12.10	✓
H 2400 - 175 - C	H 2400 - 175 - D	175	6.89	460	18.11	285	11.22	4036	9073	5018	11281	779,0	47.52	5,73	12.63	✓		
H 2400 - 200 - C	H 2400 - 200 - D	200	7.87	510	20.08	310	12.20	4068	9145	5072	11403	880,0	53.68	6,14	13.54	✓		
H 2400 - 250 - C	H 2400 - 250 - D	250	9.84	610	24.02	360	14.17	4116	9253	5152	11582	1081,0	65.94	6,95	15.32	✓		
H 2400 - 275 - C	H 2400 - 275 - D	275	10.83	660	25.98	385	15.16	4135	9296	5182	11650	1182,0	72.10	7,36	16.23	✓		
H 2400 - 300 - C	H 2400 - 300 - D	300	11.81	710	27.95	410	16.14	4150	9330	5208	11707	1283,0	78.26	7,77	17.13	✓		

Model (Cu)	Rev.	Maintenance kit
H 2400 (025 ÷ 080)	C	39BMRV02400C
H 2400 (025 ÷ 080)	D	39BMH02400D
H 2400 (100 ÷ 300)	C - D	39BMH02400DH



HOW TO ORDER

p. 133