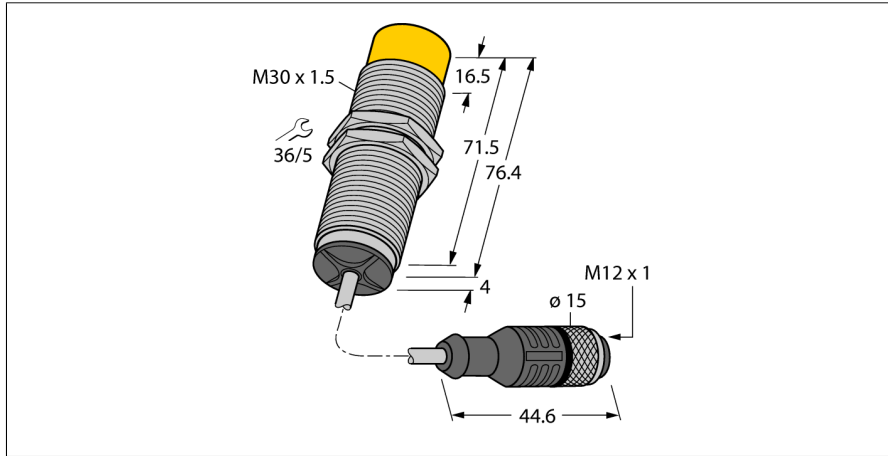
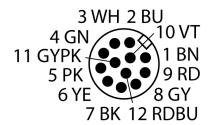
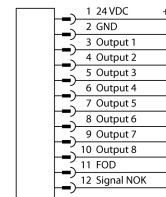


Inductive coupler
Primary Side
NICP-M30-8P8-0.3-RSC12T



- Threaded barrel, M30 x 1.5
- Chrome-plated brass
- DC 4-wire, 24 VDC
- 8 x PNP output
- Pigtail with male end M12 x 1
- Status bit for identification of secondary component
- Diagnosis bit for the identification of foreign objects



Type designation	NICP-M30-8P8-0.3-RSC12T
Ident-No.	4300201
max. transmission distance	7 mm
max. offset	5 mm
Maximum Angular Misalignment	15 °
Mounting conditions	Non-flush
Ambient temperature	-20...+55 °C
DC rated operational current	≤ 750 mA
Output function	12-wire, PNP
Nominal transmission capacity	12 W
Maximum standby power coupled	3 W
Maximum standby power not coupled	1 W
System readiness delay (power)	160 ms
IO-Link specification	Version 1.1.1
Design	Threaded barrel, M30 × 1.5
Dimensions	80.4 mm
Housing material	Metal, CuZn, Chrome-plated
Active area material	Plastic, PA12-GF30
Max. tightening torque housing nut	40 Nm
Electrical connection	Cable with connector, M12 × 1
Cable quality	Ø 5.6mm, Lif9YH-11YH, PUR, 0.3 m Flame retardant acc. to VDE 0472, part 804B
Core cross-section	12 x 0.14 mm ²
Vibration resistance	55 Hz (1 mm)
Shock resistance	30 g (11 ms)
Protection class	IP67 IP68
MTTF	547 years acc. to SN 29500 (Ed. 99) 20 °C

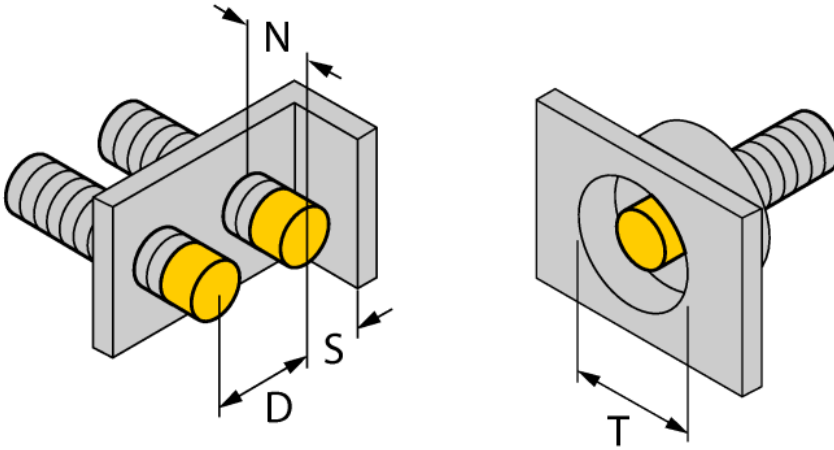
Functional principle

Inductive couplers transmit power and data contactless. With a high-frequency alternating field power is transmitted at a frequency of 200 kHz and data at 2.4 GHz. The powered primary component NICP feeds the secondary component NICS via the air interface which in turn transmits the sensor signals back to the primary component.

Inductive coupler
Primary Side
NICP-M30-8P8-0.3-RSC12T

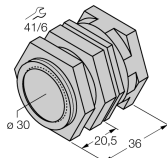
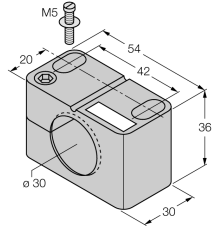
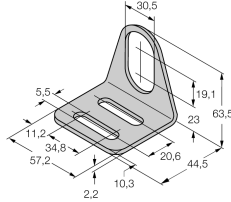
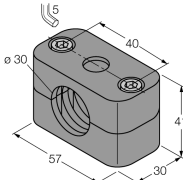
Distance D	60 mm
Distance T	60 mm
Distance S	30 mm
Distance N	26,5 mm

Diameter active area B	Ø 30 mm
------------------------	---------



**Inductive coupler
Primary Side
NICP-M30-8P8-0.3-RSC12T**

Accessories

Type code	Ident-No.	Description	Dimension drawing
QM-30	6945103	Quick-mount bracket with dead-stop; material: Chrome-plated brass. Male thread M36 × 1.5. Note: The switching distance of the proximity switches may change when using quick-mount brackets.	
BST-30B	6947216	Mounting clamp for threaded barrel sensors, with dead-stop; material: PA6	
MW-30	6945005	Mounting bracket for threaded barrel sensors; material: Stainless steel A2 1.4301 (AISI 304)	
BSS-30	6901319	Mounting clamp for smooth and threaded barrel sensors; material: Polypropylene	

Function accessories

Type code	Ident-No.	Description	Dimension drawing
RKC12T-2/TXL	6625339		