

RELIEF VALVE DIRECT TYPE (HR) SIZE 06



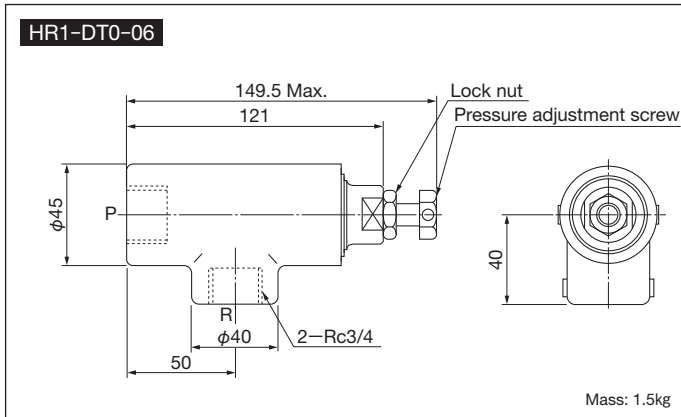
Features

The direct acting type relief valve is used at a low setting pressure and is also suitable as a safety valve to regulate the maximum pressure.

Specifications

Nominal size	Rated flow rate (L/min)	Max. operating pressure (MPa)	Pressure adjustment range (MPa)	Model
06	75	7	0.3 to 1.5	HR1-DT0-06

Outside dimensions



Description of the model designation

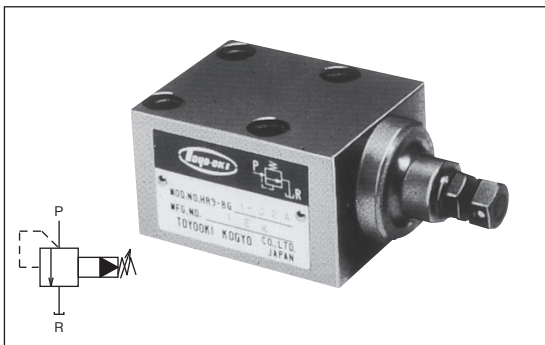
HR1-DT0-06

Nominal size	0: 0.3 to 1.5 MPa
Pressure adjustment range	T: Rc (PT) thread type
Piping method	D: Direct type
Construction	1: 7 MPa
Max. operating pressure	
Relief valve	

B

PRESSURE CONTROL VALVES

RELIEF VALVE BALANCE PISTON TYPE (HR) SIZE 02



The balance piston type relief valve regulates the maximum pressure in the hydraulic circuit to maintain the pressure in the circuit at a constant pressure.

Features

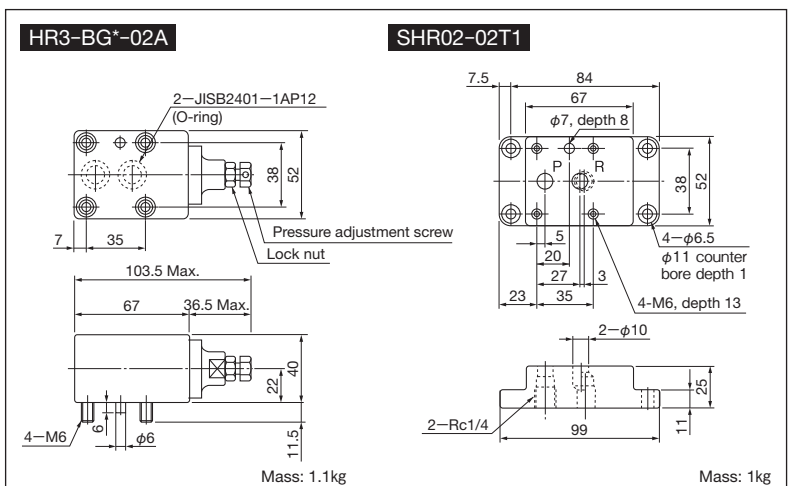
1. The balance piston type design offers excellent pressure - flow characteristics, minimizes variation from the set pressure, and ensures accurate operation.

- If subplate SHR02-02T1 is necessary, please order one separately.

Specifications

Nominal size	Rated flow rate (L/min)	Maximum flow rate (L/min)	Max. operating pressure (MPa)	Pressure adjustment range (MPa)	Model
02	12	20	21	0.5 to 7	HR3-BG1-02A
				3.5 to 14	HR3-BG2-02A
				10.5 to 21	HR3-BG3-02A

Outside dimensions

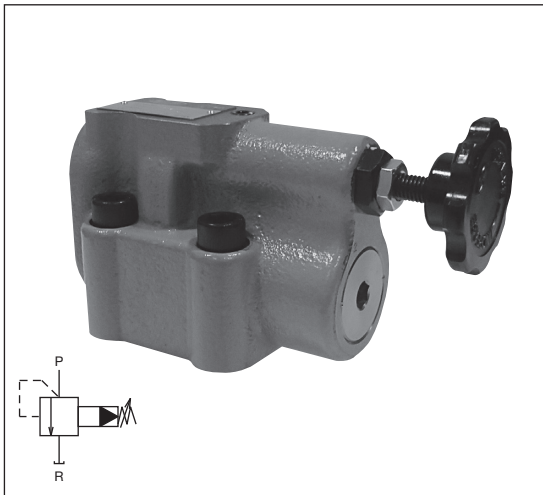


Description of the model designation

HR3-BG1-02A

Model No.	
Nominal size	1: 0.5 to 7 MPa
Pressure adjustment range	2: 3.5 to 14 MPa
	3: 10.5 to 21 MPa
Piping method	G: Gasket type
Construction	B: Balance piston type
Max. operating pressure	3: 21 MPa
Relief valve	

RELIEF VALVE BALANCE PISTON TYPE (HR) SIZE 04



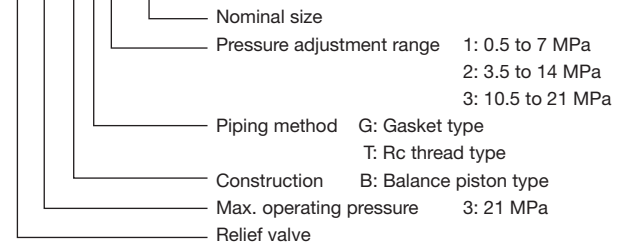
The balance piston type relief valve regulates the maximum pressure in the hydraulic circuit to maintain the pressure in the circuit at a constant pressure.

Features

1. The balance piston type design offers excellent pressure - flow characteristics, minimizes variation from the set pressure, and ensures accurate operation.
 2. The valve allows configuration of an unload circuit by using a vent port (VE). It also enables remote control of pressure by connecting a pilot relief valve.
- If subplate SHR04-***T* is necessary, please order one separately.

Description of the model designation

HR3-BG1-04



Specifications

Nominal size	Rated flow rate (L/min)	Maximum flow rate (L/min)	Max. operating pressure (MPa)	Pressure adjustment range (MPa)	Model	
					Thread joint type	Gasket joint type
04	40	80	21	0.5 to 7	HR3-BT1-04	HR3-BG1-04
				3.5 to 14	HR3-BT2-04	HR3-BG2-04
				10.5 to 21	HR3-BT3-04	HR3-BG3-04

Outside dimensions

HR3-BT*-04

HR3-BG*-04

SHR04-*T1**

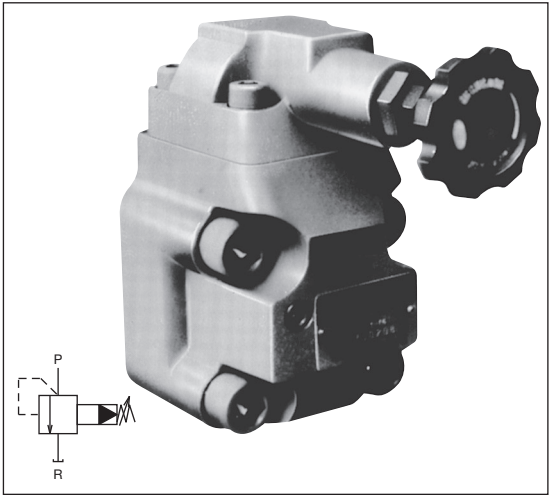
NOTE: For SHR04-***T3, refer to page L-4. Unit: mm

Model	a	b	c	d	e	f	h	i	Mass(kg)
SHR04-04T1	13	17	54	103	121	33.5	23	1/2	1.8
SHR04-06T1	28	10	59.5	116	144	51.5	18	3/4	2.0

RELIEF VALVE BALANCE PISTON TYPE (HR) SIZE 06

B

PRESSURE CONTROL VALVES

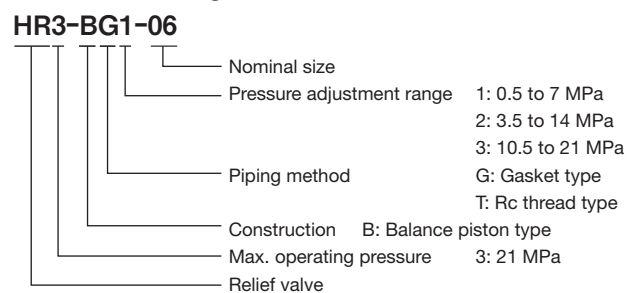


The balance piston type relief valve regulates the maximum pressure in the hydraulic circuit to maintain the pressure in the circuit at a constant pressure.

Features

1. The balance piston type design offers excellent pressure - flow characteristics, minimizes variation from the set pressure, and ensures accurate operation.
 2. The valve allows configuration of an unload circuit by using a vent port (VE). It also enables remote control of pressure by connecting a pilot relief valve.
- If subplate SHR06-**T* (A) is necessary, please order one separately.

Description of the model designation



Specifications

Nominal size	Rated flow rate (L/min)	Maximum flow rate (L/min)	Max. operating pressure (MPa)	Pressure adjustment range (MPa)	Model	
					Thread joint type	Gasket joint type
06	120	190	21	0.5 to 7	HR3-BT1-06	HR3-BG1-06
				3.5 to 14	HR3-BT2-06	HR3-BG2-06
				10.5 to 21	HR3-BT3-06	HR3-BG3-06

Outside dimensions

HR3-BT*-06

Pressure adjustment grip: 177 Max.
Lock nut: 46
Rc3/8
VE
186
164
100
3-Rc3/4
76
80
116
Mass: 8.0kg

SHR06-T1A**

4-φ13
φ20 counter bore depth 1
Rc1/4
φ6.5
24
a
11
33.5
55.5
b
67
d
70
130
156
2-φ7, depth 8
4-M16
2-φ22
2-Rc h
20
g

HR3-BG*-06

Pressure adjustment grip: 170 Max.
Lock nut: 39
φ55
4-M16
166
144
2-φ6
6
20.5
93
Pressure gauge outlet Rc1/4
76
JIS B 2401-1AP10 (O-ring)
VE
67
16
70
100

2-JIS B 2401-1AG30 (O-ring)

Mass: 7.3kg

NOTE: For SHR06-**T3, refer to page L-4. Unit: mm

Model	a	b	c	d	e	f	g	h	Mass(kg)
SHR06-06T1A	25	60.5	37	124	12	100	30	3/4	3.3
SHR06-08T1A	27	67	45	141	15.5	110	45	1	4.6