

Performance

E2 - 2" Clamped Pump – Metallic Center ELASTOMERIC AND TPE FITTED - RUGGED

Flow Rate

Adjustable to 0-185 gpm (700 lpm)

Port Size

Suction 2" NPT
Discharge 2" NPT

Air Inlet 1/2" NPT

Air Exhaust 1" NPT

Suction Lift

Dry 17' (5.2 m)
Wet 32' (9.8 m)

Max Solid Size (Diameter)

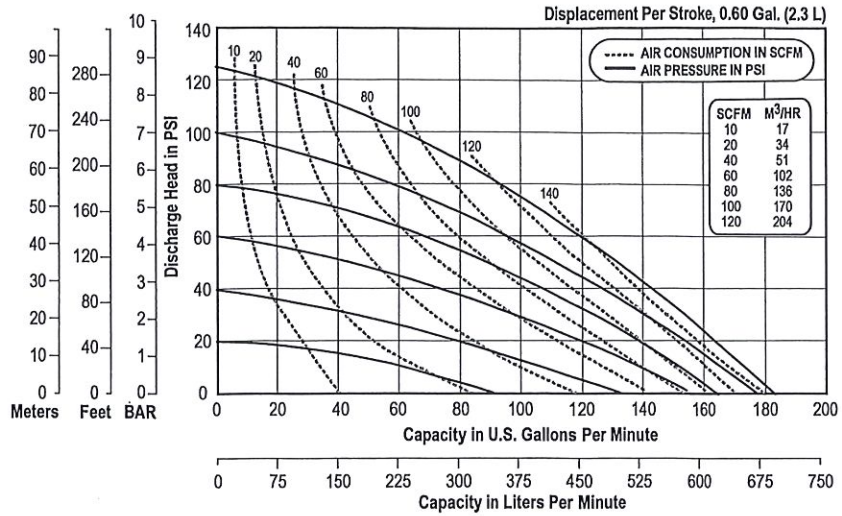
..... 1/4" (6.4 mm)

Max Noise Level 96 dB(A)

Shipping Weights

Aluminum 65 lbs (29.5 kg)
Cast Iron 113 lbs (51.3 kg)
Stainless 106 lbs (48.1 kg)

** Stainless Center add 31 lbs. (68.3 kg)



NOTE: Performance based on the following: elastomeric fitted pump, flooded suction, water at ambient conditions. The use of other materials and varying hydraulic conditions may result in deviations in excess of 5%.

E2 - 2" Clamped Pump – Metallic Center ELASTOMERIC AND TPE FITTED - DOMED

Flow Rate

Adjustable to 0-167 gpm (632 lpm)

Port Size

Suction 2" NPT
Discharge 2" NPT

Air Inlet 1/2" NPT

Air Exhaust 1" NPT

Suction Lift

Dry 18' (5.5 m)
Wet 31' (9.5 m)

Max Solid Size (Diameter)

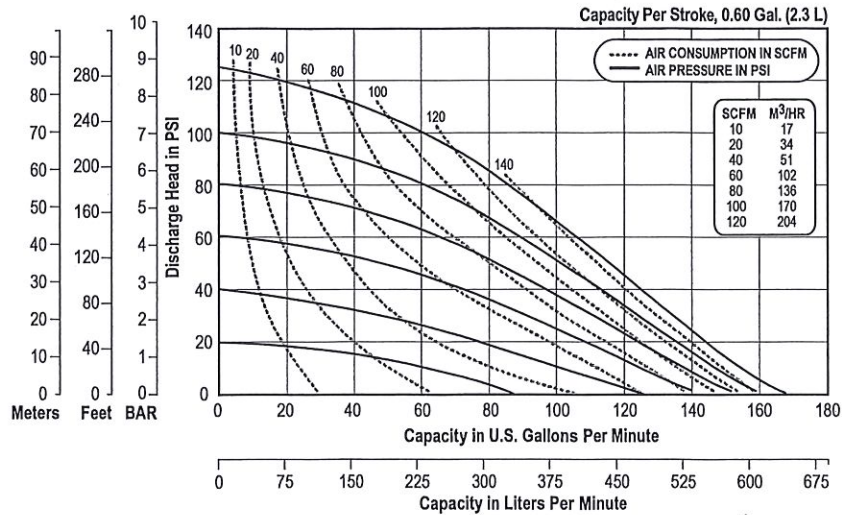
..... 1/4" (6.4 mm)

Max Noise Level 97 dB(A)

Shipping Weights

Aluminum 65 lbs (29.5 kg)
Cast Iron 113 lbs (51.3 kg)
Stainless 106 lbs (48.1 kg)

** Stainless Center add 31 lbs. (68.3 kg)



NOTE: Performance based on the following: elastomeric fitted pump, flooded suction, water at ambient conditions. The use of other materials and varying hydraulic conditions may result in deviations in excess of 5%.

E2 - 2" Clamped Pump – Metallic Center PTFE FITTED

Flow Rate

Adjustable to 0-153 gpm (579 lpm)

Port Size

Suction 2" NPT
Discharge 2" NPT

Air Inlet 1/2" NPT

Air Exhaust 1" NPT

Suction Lift

Dry 12' (3.7 m)
Wet 31' (9.5 m)

Max Solid Size (Diameter)

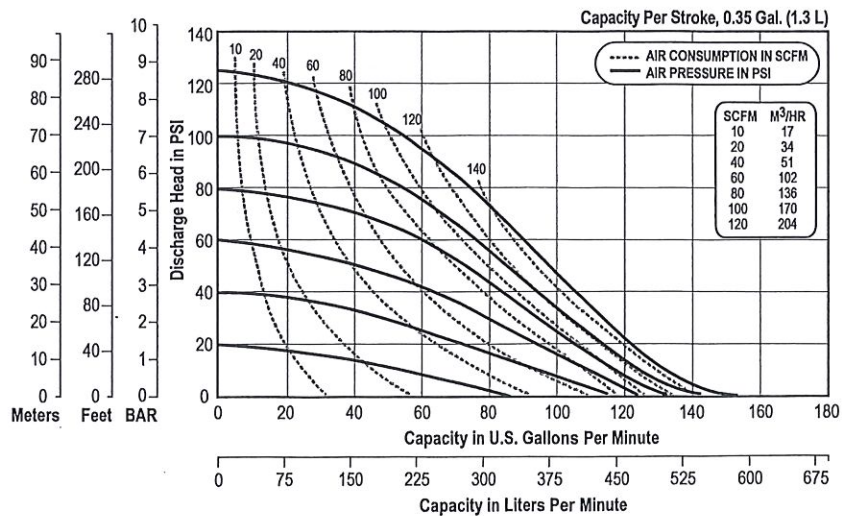
..... 1/4" (6.4 mm)

Max Noise Level 102 dB(A)

Shipping Weights

Aluminum 65 lbs (29.5 kg)
Cast Iron 113 lbs (51.3 kg)
Stainless 106 lbs (48.1 kg)

** Stainless Center add 31 lbs. (68.3 kg)



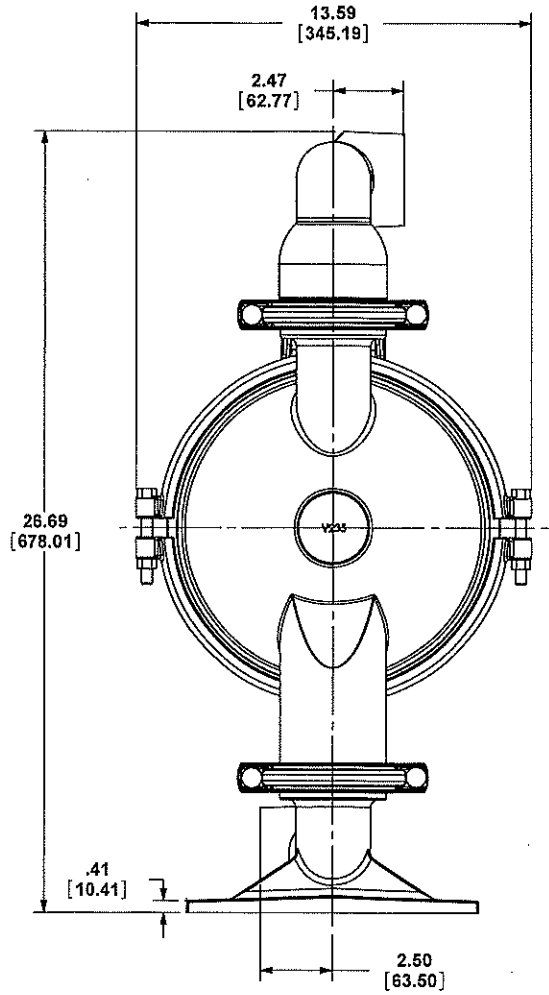
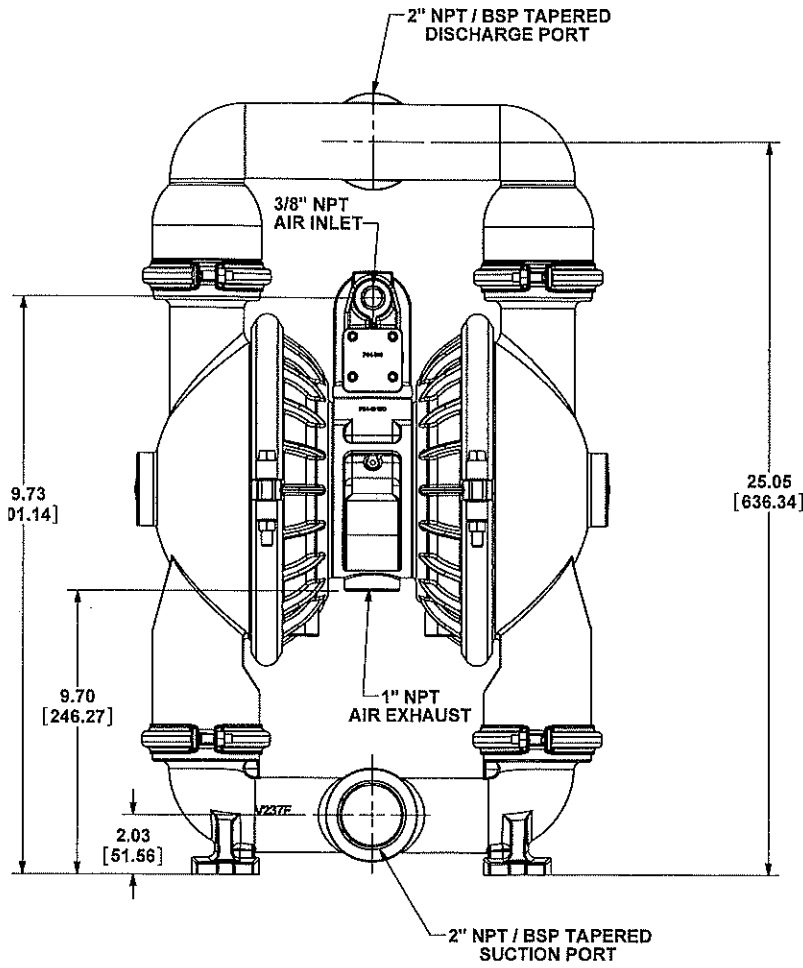
NOTE: Performance based on the following: PTFE fitted pump, flooded suction, water at ambient conditions. The use of other materials and varying hydraulic conditions may result in deviations in excess of 5%.

Dimensional Drawings

E2 Metallic Clamped

Dimensions in inches (mm dimensions in brackets)

The dimensions on this drawing are for reference only. A certified drawing can be requested if physical dimensions are needed.



1: PUMP SPECS

