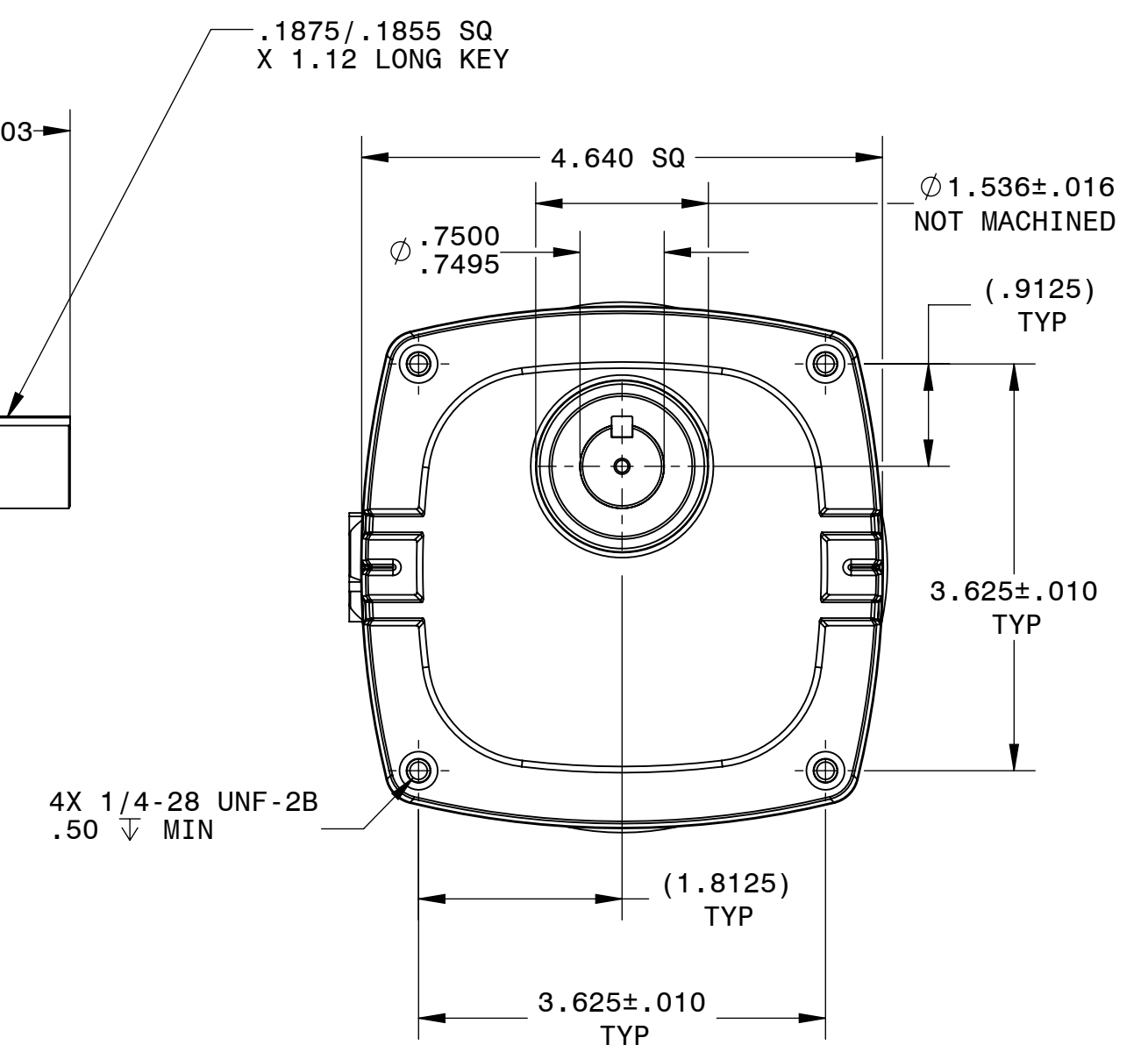
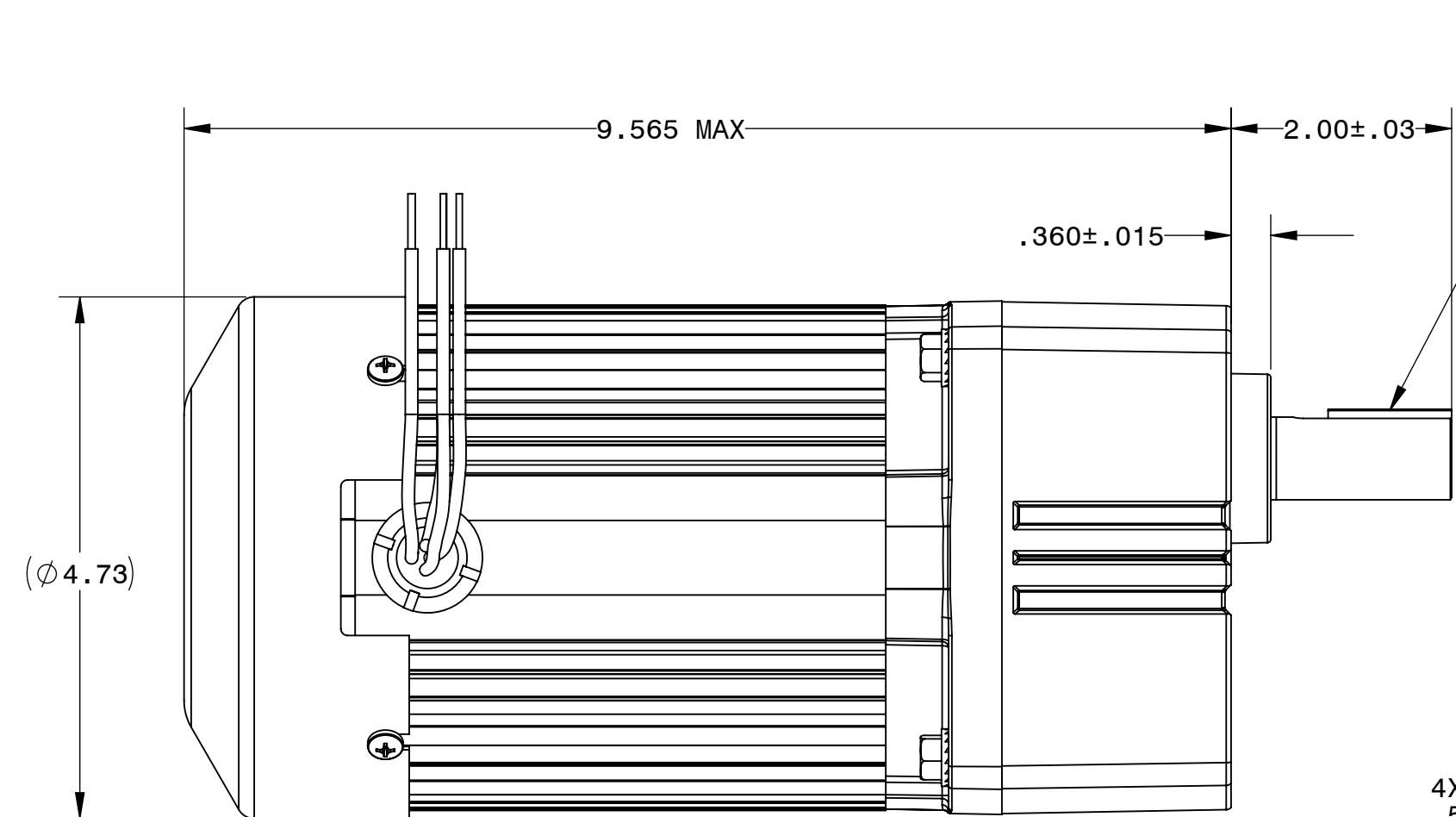
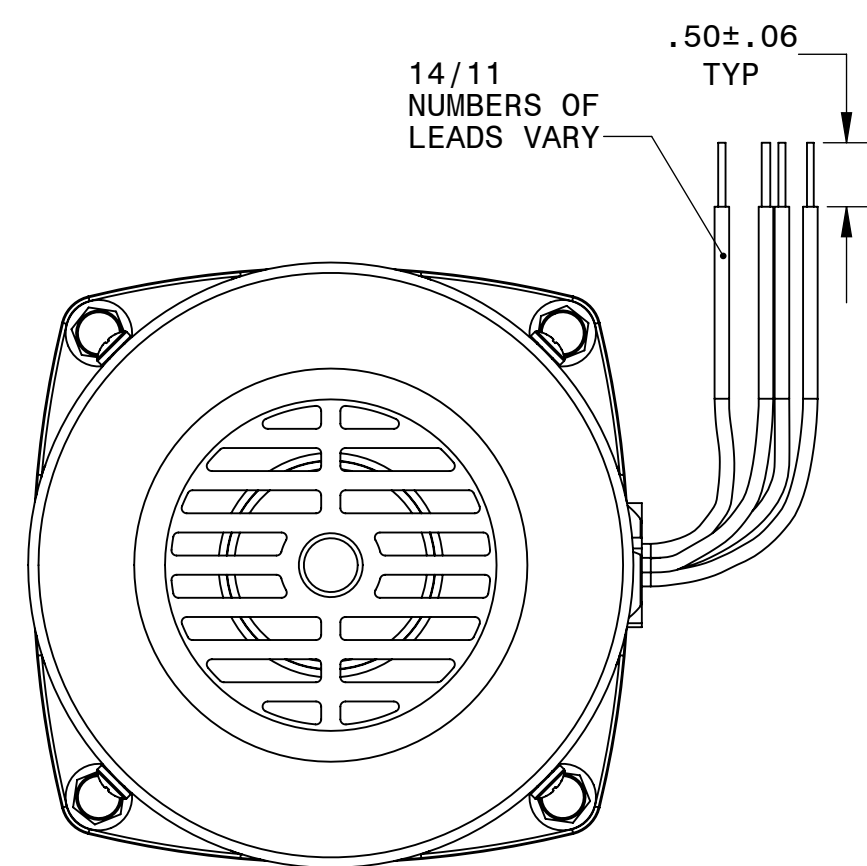


DESCRIPTION:
GEARMOTOR 42R6BFPP-F

SHEET: 1/1
SCALE: 2:3
C

UNLESS OTHERWISE SPECIFIED:
UNITS ARE IN INCHES [mm]
TOLERANCES: .XX:±.01 .XXX:±.005
ANGLES: X°:±3° X.X°:±0.5°



REPRESENTATIVE OF MODEL NUMBER(S):
2260 2261 2262 2263 2264 2662 2860 2861 2862 2863 2864

