

EMGZ 306A Series Tension Measuring Amplifier

No programming required

Easy to setup

Standardised analogue outputs

Multiconnectable with PLC, Display etc.

Galvanically isolated

Protected against electrical noise

DIN rail mount

Easy to mount in cabinet

Gain and offset setting by 20-turn trimmers

Precise adjustment guaranteed



● **EMGZ 306A Series**

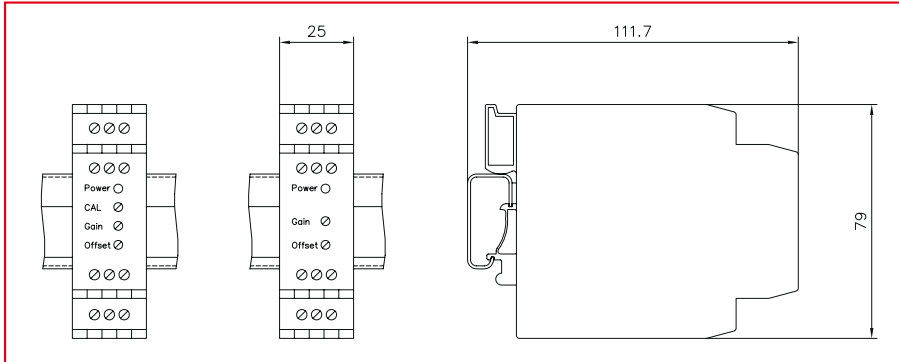
The EMGZ 306A Series is a single channel analogue tension measuring amplifier. There can be two force sensors connected. All settings are done with 20-turn trimmers which are easily accessible from the front. The amplifier outputs are standardized ± 10 V tension output and 0...20 mA or 4...20 mA current output (switchable by jumpers).

For filtering of the output signals capacitors can be added. As options 10 VDC sensor supply voltage and compound-filled versions with additional vibration protection are available. The compound-filled version is used for rotating applications such as stranding machines, etc.

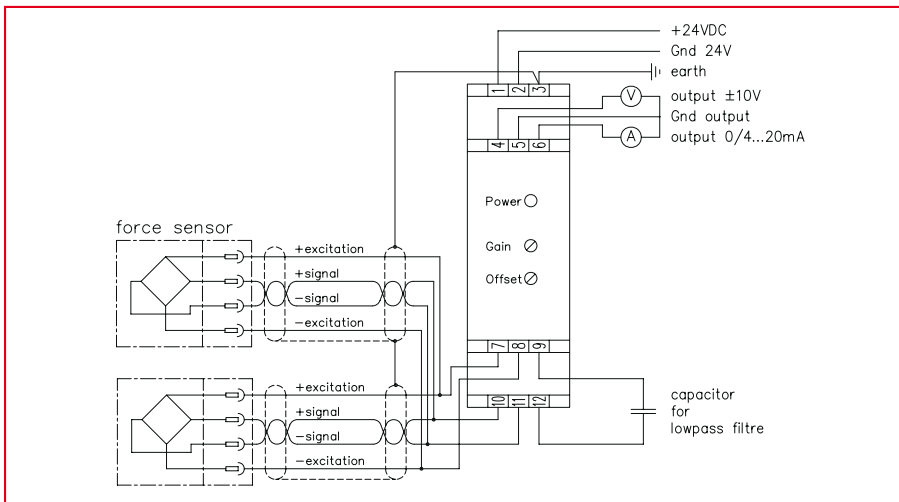
● **EMGZ 306A.CAL**

This version provides a pushbutton to simulate 50 % of the nominal sensor load. This allows to do the calibration of the amplifier by calculation instead of physical simulation of the tension.

EMGZ 306A Series • Dimensions in mm



EMGZ 306A Series • Wiring diagram



EMGZ 306A Series • Technical data

Sensor supply voltage	5 VDC 30 mA high precision (option 10 VDC)
Offset range	± 9 mV
Gain factor range	500...5000
Linearity error	< 0.1 %
Temperature drift offset	< 0.01 % / K
Tension output	± 10 V min. 1000 Ω
Current output	0/4...20 mA max. 500 Ω
Lowpass cut-off frequency	adjustable, ca. 1...1000 Hz
Power supply	24 VDC (18...36 VDC) max. 0.1 A, galvanically isolated
Power consumption	max. 2.5 W
Temperature range	- 10...+ 60 °C
Protection class	IP 20

Options:

- **CAL Version**
(Order code: EMGZ306A.CAL)
- **10 V power supply**
(Order code: EMGZ306 A/10V)
- **Compound filled**
(Order code: EMGZ306A.581820)

World Headquarters:

FMS Force Measuring Systems AG
 Aspstrasse 6
 8154 Oberglatt (Switzerland)
 Phone + 41 44 852 80 80
 Fax + 41 44 850 60 06
 info@fms-technology.com

FMS USA, Inc.
 2155 Stonington Avenue
 Suite 119
 Hoffman Estates, IL 60169
 Phone + 1 847 519 4400
 Fax + 1 847 519 4401
 fmsusa@fms-technology.com

FMS UK
 Highfield, Atch Lench Road
 Church Lench
 Evesham WR 11 4UG
 Phone + 44 1386 871023
 Fax + 44 1386 871021
 fmsuk@fms-technology.com

FMS Italy
 Via Baranzate 67
 20026 Novate Milanese
 Phone + 39 02 39487035
 Fax + 39 02 39487035
 fmsit@fms-technology.com