

NOTICE
 THIS DRAWING IS THE PROPERTY OF QUALITROL COMPANY LLC AND IS LOANED ONLY ON THE CONDITION THAT IT WILL BE USED TO FACILITATE THE PURPOSE FOR WHICH INTENDED AND NOT BE REPRODUCED, COPIED OR OTHERWISE DISPOSED OF, AND IS NOT TO BE USED IN WHOLE OR PART FOR FURNISHING INFORMATION RELATIVE TO THE MAKING OF DRAWINGS, PARTS APPARATUS OR PARTS THEREOF, EXCEPT BY WRITTEN ORDER FROM QUALITROL COMPANY LLC.

MODEL NO.

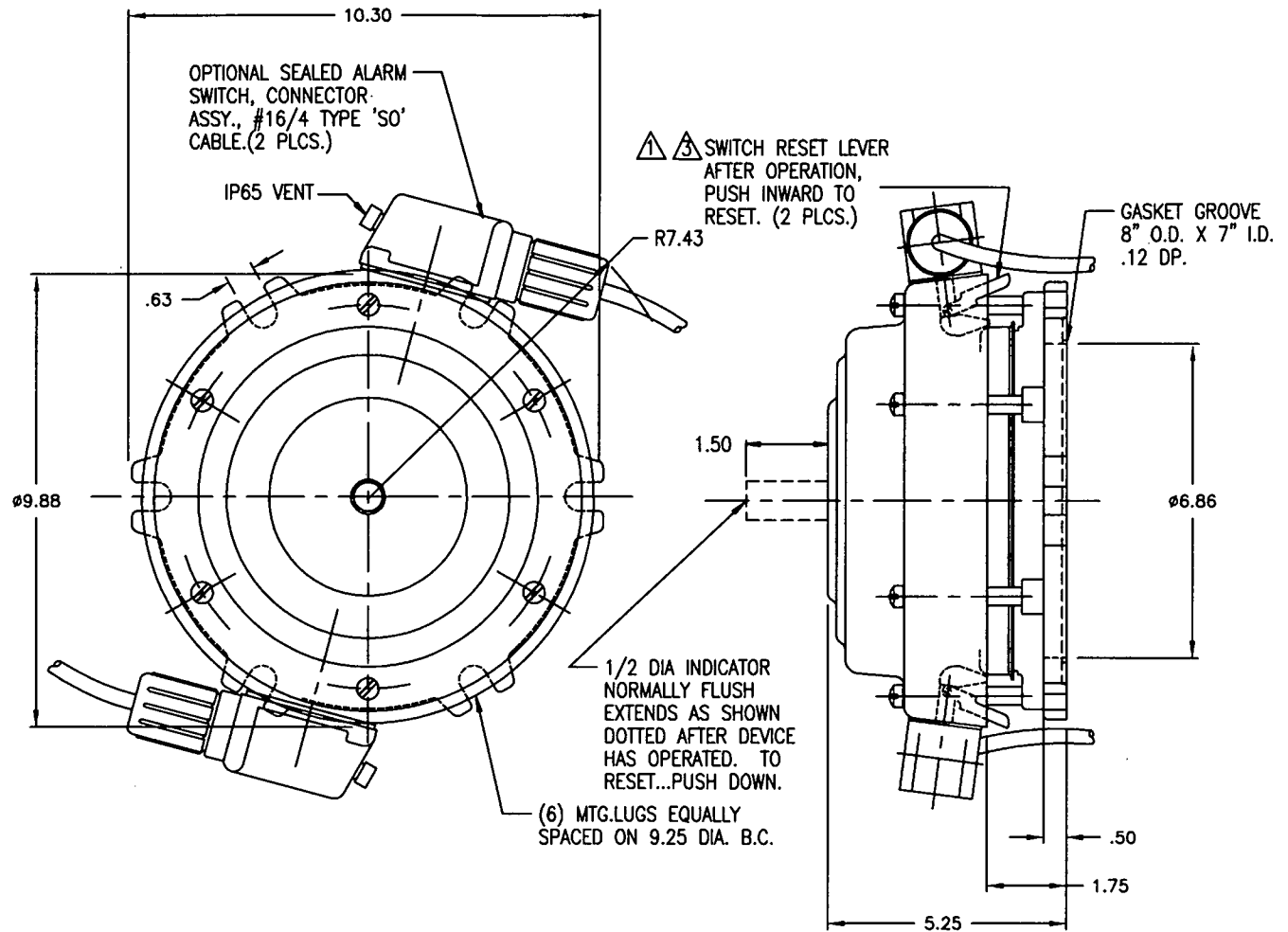
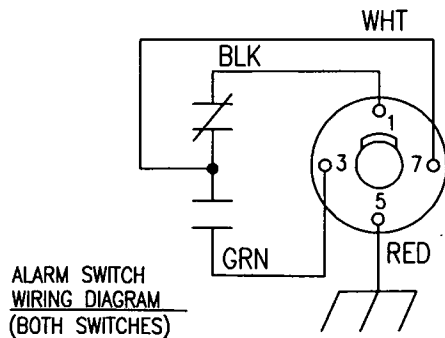
208-003

NOTES:

- 1. BLACK AND WHITE ARE NORMALLY CLOSED WHEN ALARM SWITCH IS MOUNTED AND ARMED AS SHOWN.
- 2. WHEN DEVICE OPERATES: BLACK & WHITE ARE OPEN GREEN & WHITE ARE CLOSED
- 3. WHEN THE SWITCH RESET LEVER IS MAN. DEPRESSED: BLACK & WHITE ARE CLOSED GREEN & WHITE ARE OPEN
- 4. FINISH: ASA #70 LT GRAY EPOXY

SWITCH RATING

15 AMP @ 125,250,480 VAC
 .5 AMP @ 125 VDC
 .25 AMP @ 250 VDC } NON-INDUCTIVE



SHEET 1 OF 2

-	7-9-13	ADDED IP65 VENT TO ALARM SWITCH	31508
-	6-10-98	DELETED PPS-65 NOTE: 1.50 WAS 1.81 CORRECTED INDICATOR VIEW	19508
D	12-90	REDRAWN WITH CHANGES	14705
LET	DATE	ALTERATION	C.N.

QUALITROL®

DIMENSIONS AND TOLERANCES IN ACCORDANCE WITH ASME Y14.5M-1994

PH. (585) 586-1515
 FAX (585) 377-0220

1385 FAIRPORT ROAD
 FAIRPORT, NY 14450

FORM 0-473 REV. F 04/06/06

TITLE: PRESSURE RELIEF DEVICE

MODEL NO.

208-003

