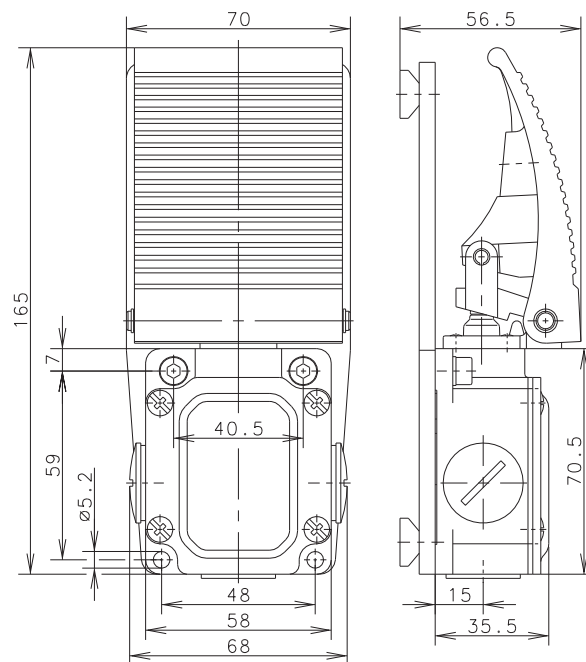
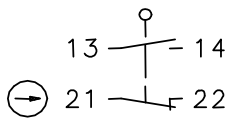


## Foot-switch Series F1

Description **F10-SU1Z**

Article number **6065300002**

### Switching symbol



### Electrical Data

Rated insulation voltage	$U_i$	400 V
Conv. thermal current	$I_{the}$	10 A
Rated operational voltage	$U_e$	240 V
Utilization category		AC-15, $U_e / I_e$ 240 V AC / 3 A
Direct opening action	$\rightarrow$	acc. to IEC/EN 60947-5-1
Short-circuit protective device		Fuse 2 A gG
Protection class		I

Mechanical data	
Enclosure	AL, die-cast
Cover	Sheet aluminium
Actuator	Foot lever (PA)
Ambient air temperature	-30 °C to +80 °C
Contact type	1 NC, 1 NO. (Zb)
Mechanical life	10 x 10 <sup>6</sup> operating cycles
Switching frequency	max. 50/min
Connection	4 screw connections (M3,5)
Conductor cross-sections	Solid: 0,5 ... 1,5 mm <sup>2</sup> or Litz wire with ferrules: 0,5 ... 1,5 mm <sup>2</sup>
Cable entrance	3 x M20 x 1,5
Weight	≈ 0,76 kg
Protection type	IP65 in accordance with IEC/EN 60529

Regulations	
	VDE 0660 T100, DIN EN 60947-1, IEC 60947-1
	VDE 0660 T200, DIN EN 60947-5-1, IEC 60947-5-1

EU Conformity	
	acc. to directive 2006/95/EG

Notes	
The degree of protection (IP code) specified applies solely to a property closed cover and the use of an equivalent cable gland with adequate cable.	