



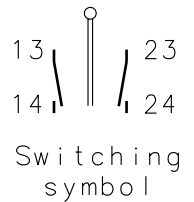
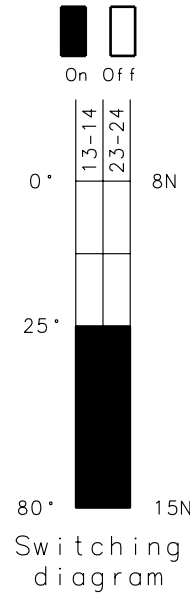
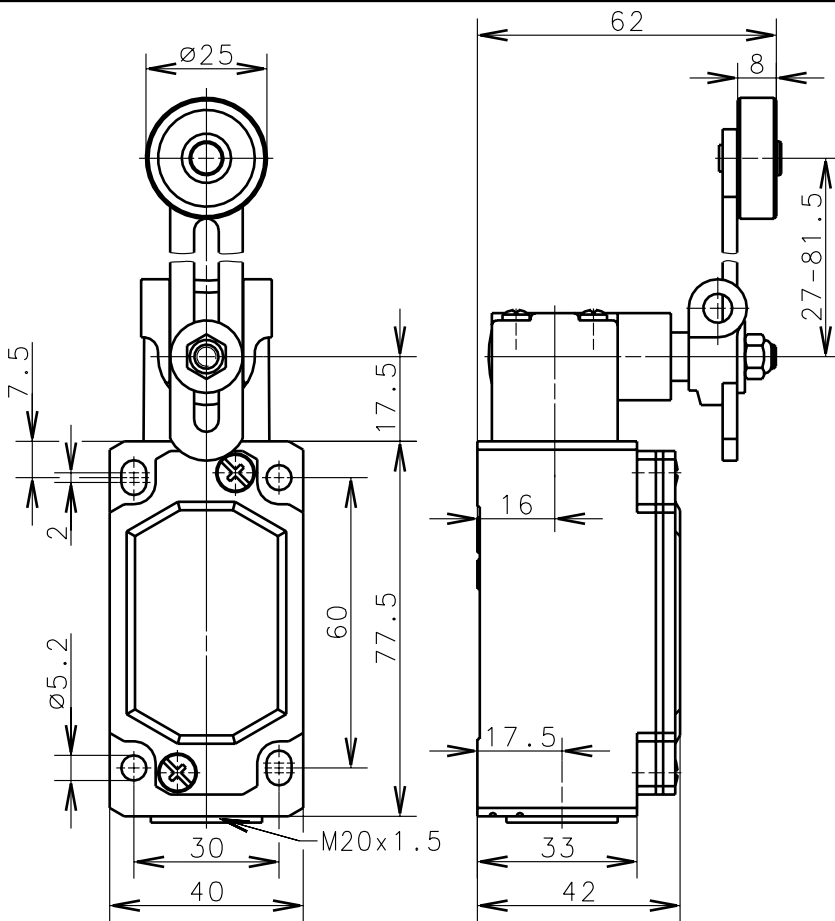
**Bernstein**

Bernstein AG  
Postfach 1164  
D-32437 Porta Westfalica

# Technical data sheet

ENM2-E2 AV

618.7836.060



Tolerance: operating point  $\pm 3.5^\circ$   
operating torque  $\pm 10\%$

Schutzvermerk nach DIN 34 beachten  
Copyright reserved

## Mechanical features

Enclosure:	Al-die cast
Cover:	Al-plate
Actuator:	Turret head (Zn-die cast), lever (St), roller (Thermoplast)

Ambient air temperature:	-30°C up to +80°C
Contact type:	2 NO-contacts

Mechanical life:	$3 \times 10^6$ switch operations
Switch frequency:	max. 100/min
Mounting:	4 x M5
Connection type:	4 screw connections (M3)
Conductor cross-section:	single core 0.5-1.5mm <sup>2</sup> / litz wire with connector sleeve 0.5-1.5mm <sup>2</sup>
Cable entry size:	1 x M20x1.5
Weight:	approx. 0,30kg

## Electrical features

Max. Voltage:	400 V AC
Max. enduring current:	$I_{the}$ 6A
Max. inrush current:	according to IEC 60947-5-1; AC 15; DC 13
Standards:	according to EN 60947-1; EN 60947-5-1
Protection class (IP-Code):	IP65 according to EN 60529; DIN VDE 0470 T1
Short circuit protection:	6A slow-acting, 10A quick-acting

## Approach possibilities

By loosening the 4 screws the Actuation Assembly can be rotated in 90 degree increments such that 2 Actuation directions are possible. The Actuation Assembly is to be again fastened to the housing using the 4 screws.

## Remarks

The moving parts should be oiled periodically.  
The rated protection class (IP-Code) is valid only at closed cover and when using an at least equivalent cable gland.

21.08.02