

GHG 635 Series Explosion Protected Manual Motor Starters 25 Amp, 690 VAC Non-metallic Enclosure

UL/cUL Listed
Cl. I, Div. 2, Groups A, B, C, D
Cl. I, Zones 1 and 2, AEx de
IIB + H₂, T5, T6
Cl. II, Div. 1, Groups E, F, G (cUL)

CENELEC - PTB 99
ATEX 1162 Certified
Ex de IIC, T6, Zones 1 and 2
Ex de IIC, T6 Zones 21 and 22
IP66, NEMA 4X

2C

Applications:

- Explosion protected manual motor starters are used in a metallic conduit or cable system for surface mounting to protect motors against overload and phase failure.

Features:

- Explosion protected factory sealed circuit breaker and manual motor starter
- Innovative break-line in cover allows full wiring access, making installation quick and easy
- Switch handle provides clear indication of switch position
- Lockable handle meets OSHA lockout/tagout requirements, provision for 3 padlocks
- Large rotary handle provides easy gripping with gloved hands
- Captive cover screws

Certifications and Complies:

- UL/cUL Listed
- Class I, Division 2, Groups A, B, C, D
- Class I, Zones 1 and 2, Ex de IIB+H₂, T6
- Class II, Division 1, Groups E, F, G (cUL)
- CENELEC - PTB 99-ATEX 1162
- Ex de IIC, T6, Zones 1 and 2
- IP66, NEMA 4X

Standard Materials:

- Enclosure - Fiberglass-reinforced polyester
Nonmetallic, corrosion resistant
Increased safety Ex-e protection
Impact Resistant
NEMA 4X, IP66 Protection
Enclosure meets UL 94-VO
UV rated
- Enclosure Gasket - Silicon
- Handle - Impact-resistant thermoplastic
- Cover Screws - Stainless steel
- Conduit Entries - Zinc Myers Hubs
- Brass Mounting plate - Ground continuity



Technical Data

Type of Protection

(A)Ex ed IIC T5, T6

Rated Voltage

Up to 690 VAC

Rated Current

Up to 25 A

Rated Current, Aux. Contact

2 A

Short Circuit

See table on next page

Under Voltage Trip

Tripping at 15% – 75% V-rated
Switching - on when V > 80% V-rated

Connection Terminals

Up to 10mm²

Connection Terminals, Aux. Contact

2 x 2.5 mm²

Conduit or Cable Entries

2 x 3/4" Myers hubs

Weight

5.5 lbs./2.5 Kg.

2C

2C GHG 635 Series Explosion Protected Manual Motor Starters 25 Amp, 690 VAC Non-metallic Enclosure

UL/cUL Listed
Cl. I, Div. 2, Groups A, B, C, D
Cl. I, Zones 1 and 2, AEx de
IIB + H₂, T5, T6
Cl. II, Div. 1, Groups E, F, G (cUL)

CENELEC - PTB 99
ATEX 1162 Certified
Ex de IIC, T6, Zones 1 and 2
Ex de IIC, T6 Zones 21 and 22
IP66, NEMA 4X

Short Circuit Protection

Setting Range	400 VAC AIC	500 VAC AIC	690 VAC AIC
0.1 A – 1.6 A	N/A*	N/A*	N/A*
1.6 A – 2.5 A	N/A*	N/A*	40
2.5 A – 4.0 A	N/A*	60	10
4.0 A – 6.3 A	N/A*	40	7
6.3 A – 9.0 A	N/A*	30	5
9.0 A – 12.5 A	75	27	4.5
12.5 A – 16.0 A	60	25	4
16.0 A – 20.0 A	55	22	3.5
20.0 A – 25.0 A	50	20	3

* Short-circuit proof. No back-up fuse required.

Ordering Information

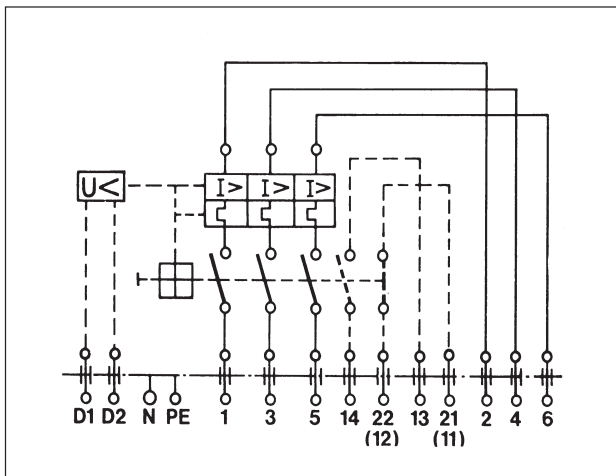
Setting Range or rated current	Cat. #
0.1 – 0.16 A	GHG 635 1101 L0101
0.16 – 0.25 A	GHG 635 1101 L0102
0.25 – 0.40 A	GHG 635 1101 L0103
0.40 – 0.63 A	GHG 635 1101 L0104
0.63 – 1.0 A	GHG 635 1101 L0105
1.0 – 1.6 A	GHG 635 1101 L0106
1.6 – 2.5 A	GHG 635 1101 L0107
2.5 – 4.0 A	GHG 635 1101 L0108
4.0 – 6.3 A	GHG 635 1101 L0109
6.3 – 9.0 A	GHG 635 1101 L0110
9.0 – 12.5 A	GHG 635 1101 L0111
12.5 – 16 A	GHG 635 1101 L0112
16 – 20 A	GHG 635 1101 L0113
20 – 25 A	GHG 635 1101 L0114

Accessory Options†

- 1 = without aux. contact
- 2 = with aux. contact 1 NO + 1NC
- 3 = with aux. contact 2 NO

†Catalog numbers on this page are shown without auxiliary contacts. To add aux. contacts, change last number in "1101" to a 2 or 3. Ex. 1102.

Wiring Diagram



Dimensions

In Inches:

