



Steel 90° 'V' grooved wheels offer an economic form of rail guidance being suitable for running on inverted angle iron rail.

MATERIAL: Steel to BS970: Part 1: 1983: 080 M40

Alternative bore/bearing diameters and alternative bearing types (i.e. bronze bushers, self-lubricating bushes, high temperature bearings, spherical roller bearings, etc.) are available to order. See page 26-27.

For technical information covering load factors, inertial and rolling resistance, coefficients of friction between wheel and track and keyway dimensions, see "Design Data" Index on page 20.

FULL PART NUMBER FOR ORDERING

Axle Ø	Plain Bore	Plain Bore Keywayed	Ball Bearing	Taper Roller Bearing
METRIC AXLE Ø				
12		SVT75/35/KM 12	SVT75/35/BJM 12	
20		SVT75/35/KM 20	SVT75/35/BJM 20	

LOAD LIMITED BY BEARINGS TO: (1) 570Kg

WHEEL TYPE:

SVT75/35

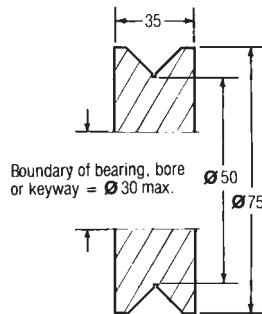
See table for full part number

Maximum load rating:

800Kg

See pages 23-26 for load factors

Approximate weight: **1Kg**



Wheels fitted with ball journals are pre-lubricated, double shielded

WHEEL TYPE:

SVT100/40

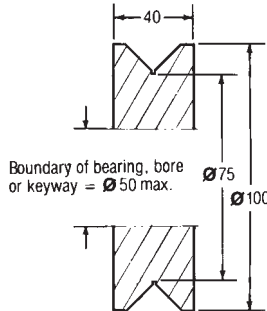
See table for full part number

Maximum load rating:

1100Kg

See pages 23-26 for load factors

Approximate weight: **2Kg**



Wheels fitted with ball journals are pre-lubricated, double shielded

METRIC AXLE Ø

20		SVT100/40/KM 20	SVT100/40/BJM 20	
25		SVT100/40/KM 25	SVT100/40/BJM 25	

LOAD LIMITED BY BEARINGS TO: (1) 900Kg

WHEEL TYPE:

SVT125/40

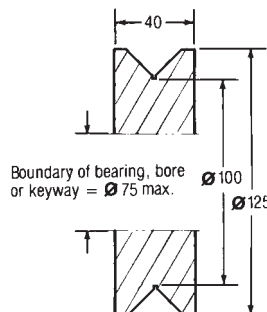
See table for full part number

Maximum load rating:

1500Kg

See pages 23-26 for load factors

Approximate weight: **3.4Kg**



Wheels fitted with ball journals are pre-lubricated, double shielded

METRIC AXLE Ø

20		SVT125/40/KM 20	SVT125/40/BJM 20	
25		SVT125/40/KM 25	SVT125/40/BJM 25	
30		SVT125/40/KM 30	SVT125/40/BJM 30	

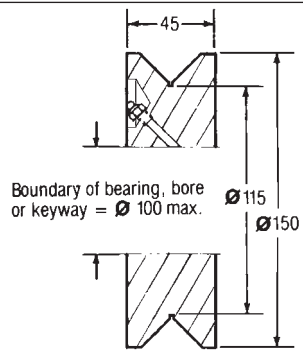
LOAD LIMITED BY BEARINGS TO: (1) 900Kg (2) 1140Kg

Steel 'V' Grooved Wheels



WHEEL TYPE:
SVT150/45
See table for full part number

Maximum load rating:
2200Kg
See pages 23-26 for load factors
Approximate weight: 5.2kg



FULL PART NUMBER FOR ORDERING

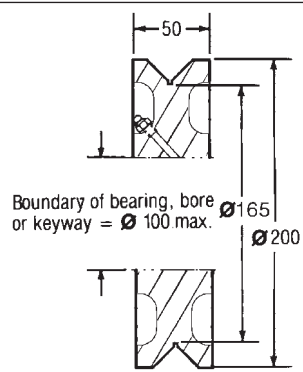
Axle Ø	Plain Bore	Plain Bore Keywayed	Ball Bearing	Taper Roller Bearing
--------	------------	---------------------	--------------	----------------------

METRIC AXLE Ø				
25		SVT150/45/KM 25	SVT150/45/BJM 25 (1)	
30		SVT150/45/KM 30	SVT150/45/BJM 30 (2)	
35		SVT150/45/KM 35	SVT150/45/BJM 35	

LOAD LIMITED BY BEARINGS TO: (1) 1140Kg (2) 2040Kg

WHEEL TYPE:
SVT200/50
See table for full part number

Maximum load rating:
3000Kg
See pages 23-26 for load factors
Approximate weight: 11Kg



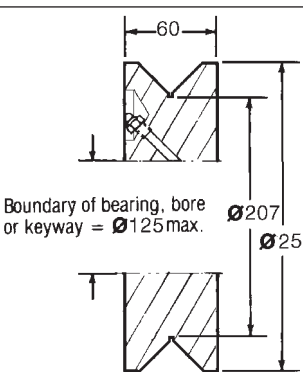
METRIC AXLE Ø

30		SVT200/50/KM 30	SVT200/50/BJM 30 (1)	
35		SVT200/50/KM 35	SVT200/50/BJM 35 (2)	
40		SVT200/50/KM 40	SVT200/50/BJM 40	

LOAD LIMITED BY BEARINGS TO: (1) 2040Kg (2) 2800Kg

WHEEL TYPE:
SVT250/60
See table for full part number

Maximum load rating:
4750Kg
See pages 23-26 for load factors
Approximate weight: 23Kg



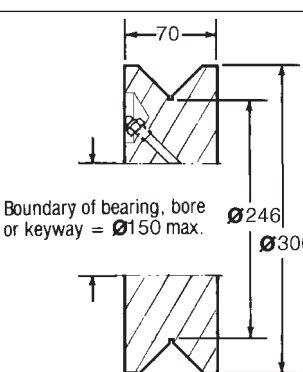
METRIC AXLE Ø

35		SVT250/60/KM 35	SVT250/60/BJM 35 (1)	
40		SVT250/60/KM 40	SVT250/60/BJM 40 (2)	
50		SVT250/60/KM 50	SVT250/60/BJM 50	

LOAD LIMITED BY BEARINGS TO: (1) 2800Kg (2) 3384Kg

WHEEL TYPE:
SVT300/70
See table for full part number

Maximum load rating:
7100Kg
See pages 23-26 for load factors
Approximate weight: 38Kg



METRIC AXLE Ø

40		SVT300/70/KM 40	SVT300/70/BJM 40 (1)	
50		SVT300/70/KM 50	SVT300/70/BJM 50	
60		SVT300/70/KM 60	SVT300/70/BJM 60	

LOAD LIMITED BY BEARINGS TO: (1) 3384Kg

STEEL 'V' GROOVED