

RAW WATER PUMP

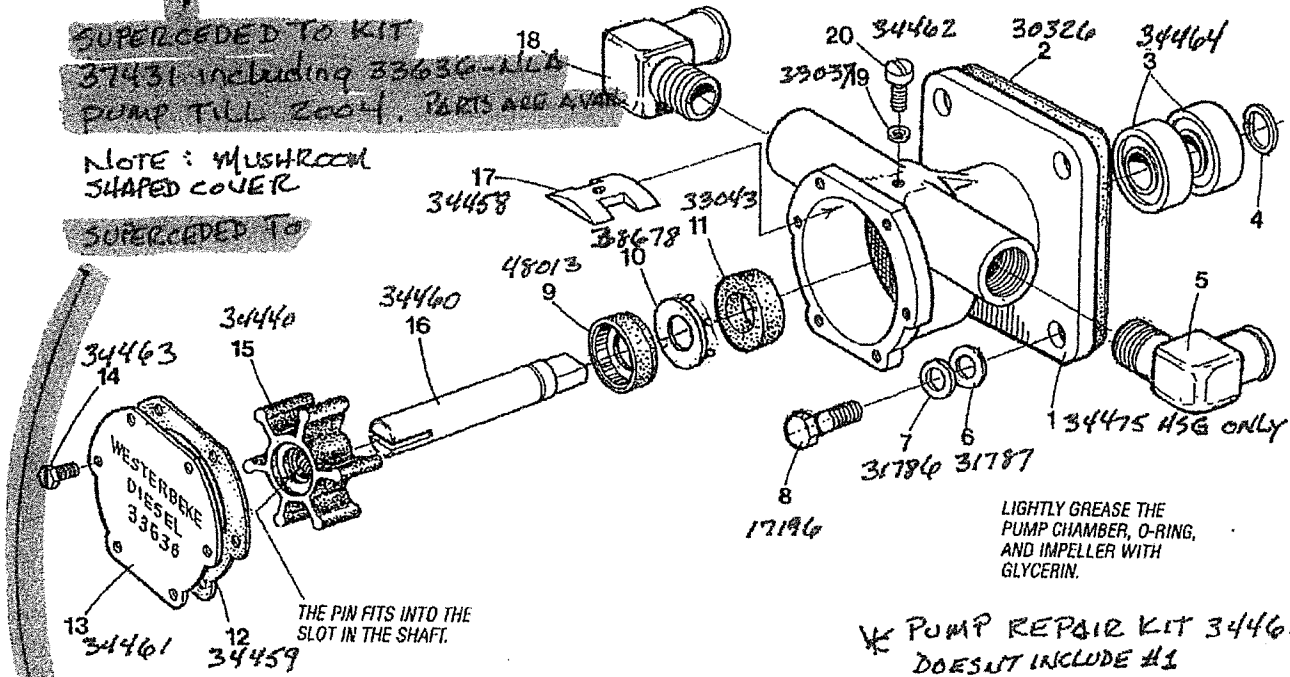
THE ORIGINAL PUMP # 24193 UNTIL 1984. COVER HAD HOSE CONNECTIONS CAST IN

SUPERCEDED TO KIT

37431 including 33636-ALLA PUMP TILL 2004. PARTS ARE AVAILABLE

NOTE: MUSHROOM SHAPED COVER

SUPERCEDED TO



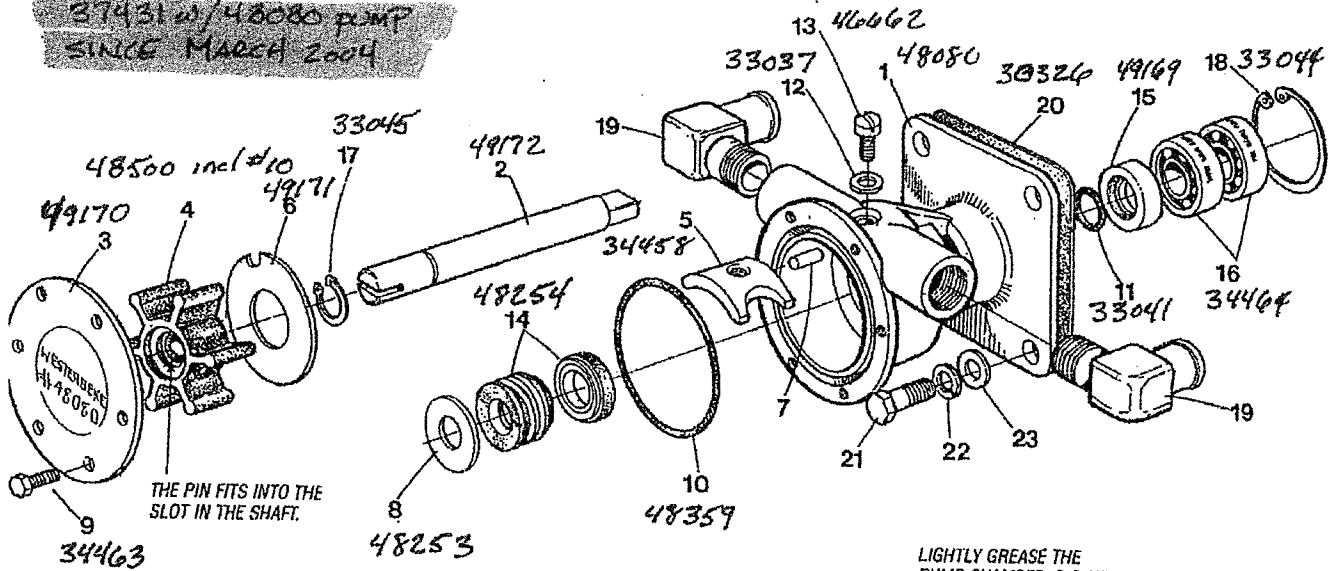
LIGHTLY GREASE THE PUMP CHAMBER, O-RING, AND IMPELLER WITH GLYCERIN.

* PUMP REPAIR KIT 34466 DOES NOT INCLUDE #1

RAW WATER PUMP

(from March 2004)

37431 w/ 48080 PUMP SINCE MARCH 2004



LIGHTLY GREASE THE PUMP CHAMBER, O-RING, AND IMPELLER WITH GLYCERIN.

* PUMP REPAIR KIT 49000 DOES NOT INCLUDE #1 or #7