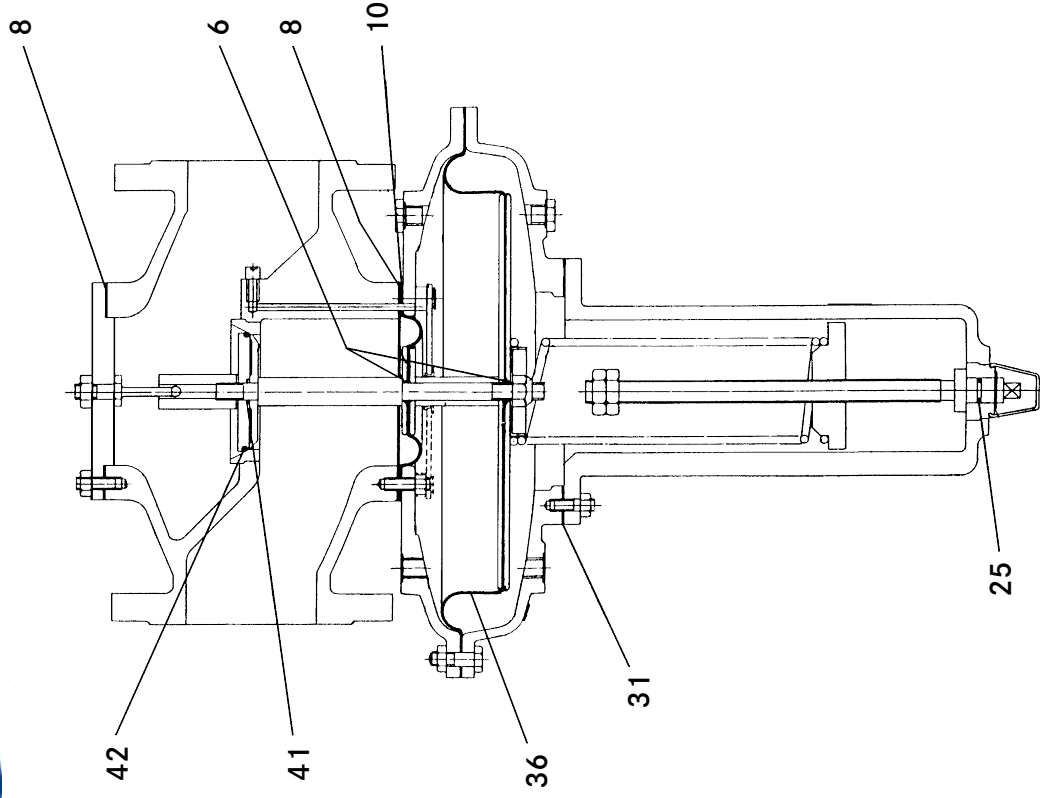




Bryan Donkin RMG Gas Controls Limited



QTY.	REF.	DESCRIPTION	PART NUMBER
2	6	'O' Ring (Diaphragm's)	7300AVN013
2	8	Body Gaskets	204/WK/006
1	10	Middle Diaphragm	204/WJ/001
1	25	'O' Ring (Spring Adjuster)	7300AVN016
1	31	Spring Housing Gasket	203/DK/005
1	36	Main Diaphragm	204/AJ/002
1	41	'O' Ring (Valve Stem)	7300AVN014
1	42	'O' Ring (Valve)	7300AVN339

FOR ADDITIONAL INFORMATION - SEE REVERSE SIDE

Shipping Spec: 50 x 50 x 6 cm    Net. Weight: 1.5 Kg

For good service life this kit, containing items listed and aimed at a 5 yearly maintenance program, should be stored unstressed, away from temperature extremes and aggressive chemicals. If 2 years beyond the date stamped on this side, inspection by and authority of a competent person should be sought prior to use.

REF:

**200/WS-021**

**SPARES KIT**

**DN 100: Series 226 Mk.2 ZSO & Zero Gov.**

**NOTES:**

**ADDITIONAL SPARES:**

The DN 100 Series 226Z (Zero Governor) and 226 ZSO are variants of the Series 226 MK2 Regulator.


A. 16-off, Nuts and bolts (Diaphragm Casing)

M10 x 35

The illustration shows a DN100 Series 226ZSO-ECL (External Control Line). This spares kit also suits the Zero unit together with the ICL version (Internal Control Line).

All units incorporate a compression spring and can only be installed in a horizontal pipe line and in the Inverted Position (i.e spring housing pointing vertically downwards).

A conversion kit 204/WC-001 is available for the ZSO to enable the fitting of a by-pass spindle arrangement. No additional parts are required for maintenance if the by-pass spindle facility is fitted.

	<b>DN100 Series 226 Mk.2 ZSO &amp; Zero</b>	
<b>SPARES KIT</b>	REF: <b>200/WS-021</b>	REV: <b>01.2008</b>