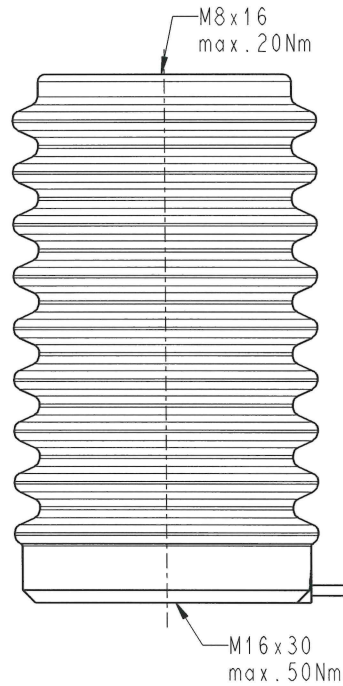
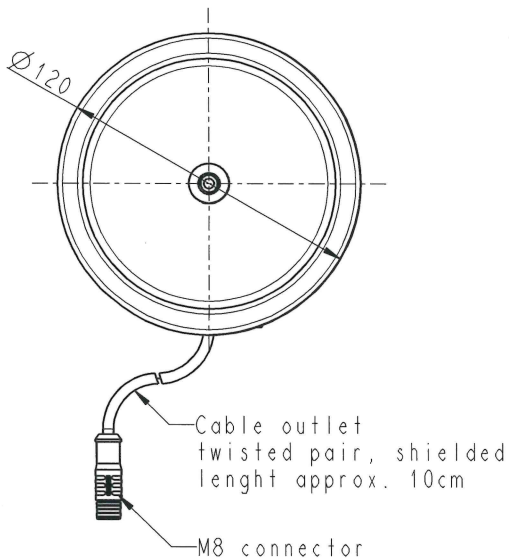
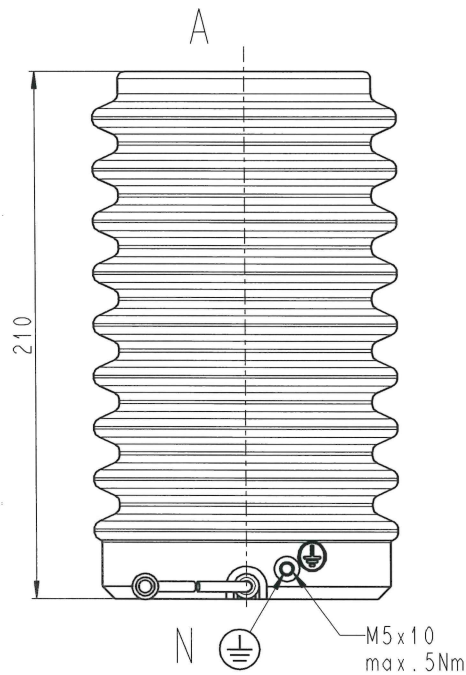
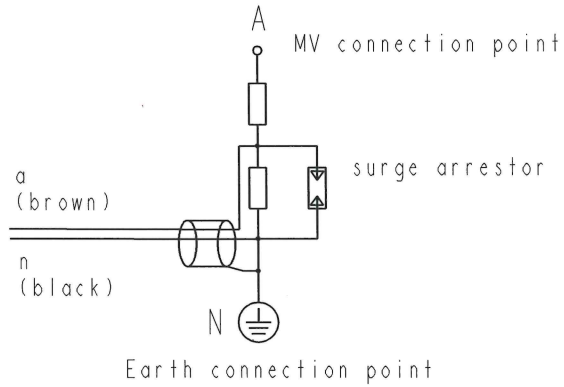


"The copying, distribution and utilization of this document as well as the communication of its contents to others without expressed authorization is prohibited. Offenders will be held liable for the payment of damages. All rights reserved in the event of the grant of a patent, utility model or ornamental design registration."

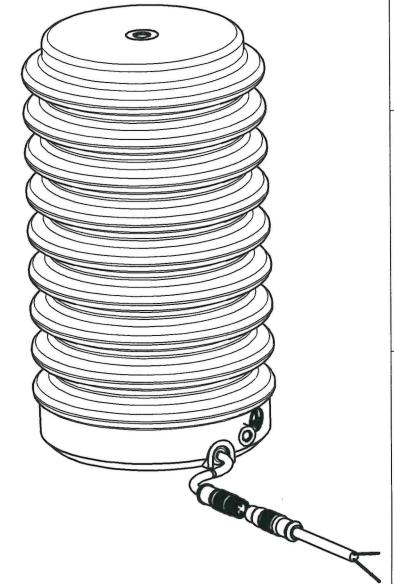
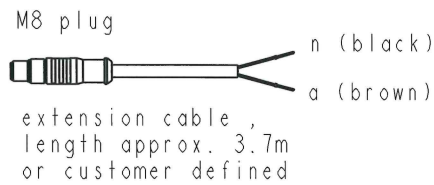
UW1013.24 (A3)



Principle circuit diagram:



creepage distance : ~340mm



Suitable for:		INDOOR <i>SL</i>		Edition	
AIR INSULATED SYSTEMS		Unspec. Tolerances		Date	
CAST RESIN EPOXY		ISO 2768-cK		Scale 1:2	
		Surf. fin.		Weight 0.000 kg	
		Date		Name	
		Creat. 16.11.17		SCHREINER	
		Check. 16.11.17		STEINER D.	
		Rel.		Pro/ENGINEER	
3 FREIGABE		16.11.17		SCHR VIE-R/ZEL	
2 MAß DM 120		30.06.17		SCHR	
1 ANPASSUNG		30.06.17		SCHR	
0 ERSTELLUNG		29.05.17		SCHR	
Rev. Change		Date		Name	
				Origin :	
				Supers. :	
				Sup. by :	
Made from				VOLTAGE SENSOR	
				SMVS	
				UW1013/24	
				Sheet 1	
				DE 1 Sh.	

ZELSKO
Austria