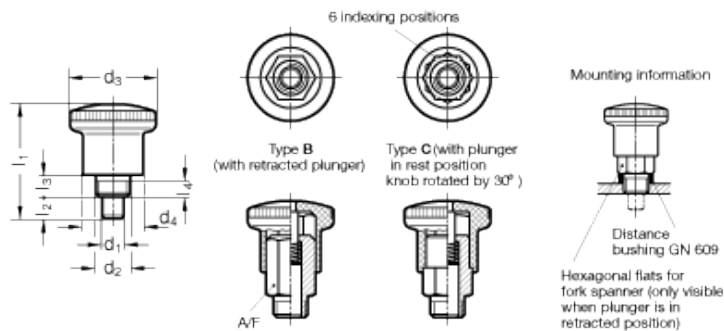


# GN 822

Mini indexing plungers



## technical informations

**Threaded body**  
Zinc-plated steel.

## Plunger

AISI 303 stainless steel. Suggested matching hole with tolerance  $+0.05 / +0.1$ .

## "Push/Pull" knurled knob

Polyamide based (PA) technopolymer, black colour, matte finish. Resistant to solvents, oils, greases and other chemical agents.

## Standard executions available

- Type B: without rest position.
- Type C: with rest position - pull the knob and turn it by  $30^\circ$ .

## Accessories on request (For sufficient quantities)

GN 609 black-oxide steel distance bushings are available for making up for the length of the threading in case the plunger is assembled on thin sheets.

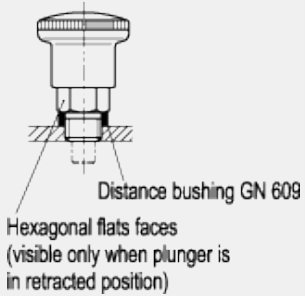
## Features and applications

GN 822 mini indexing plungers are particularly indicated for assembly on thin metal sheets, thanks to their small dimensions. The technopolymer knurled knob offers a safe and solid grip during operations.

### Instructions of use

When retracting the plunger, the flat faces on the metal body are revealed. Hence the mini indexing plunger can be easily assembled and tightened by means of a hexagonal spanner.

### Instructions of use



Standard Elements	Main dimensions									Spring pressure in N $\approx$		Weight
	Description	$d_{1\ 0/-0.06}$	$d_2$	$d_3$	$d_4$	$l_1$	$l_2\ min.$	$l_3$	$l_4\ min.$	A/F	Preload	
GN 822-4-B-ST	4	M8x0.75	21	15	26.5	5	5	3.5	10	4.5	12	13
GN 822-5-B-ST	5	M8x0.75	21	15	26.5	5	5	3.5	10	4.5	12	14
GN 822-6-B-ST	6	M10x1	25	18	34	7	7	4.5	12	5	18	24
GN 822-7-B-ST	7	M10x1	25	18	34	7	7	4.5	12	5	18	25
GN 822-4-C-ST	4	M8x0.75	21	15	26.5	5	5	3.5	10	4.5	12	14
GN 822-5-C-ST	5	M8x0.75	21	15	26.5	5	5	3.5	10	4.5	12	14
GN 822-6-C-ST	6	M10x1	25	18	34	7	7	4.5	12	5	18	24
GN 822-7-C-ST	7	M10x1	25	18	34	7	7	4.5	12	5	18	25



ELESA and GANTER models all rights reserved in accordance with the law. Always mention the source when reproducing our drawings.

STANDARD MACHINE ELEMENTS WORLDWIDE