



Food Grade Vibrator Motors

>> Specifications and Dimensions

60/50
Hz

RVS-Type



FP-Type



FP-Type



Vimarc®



FRIEDRICH

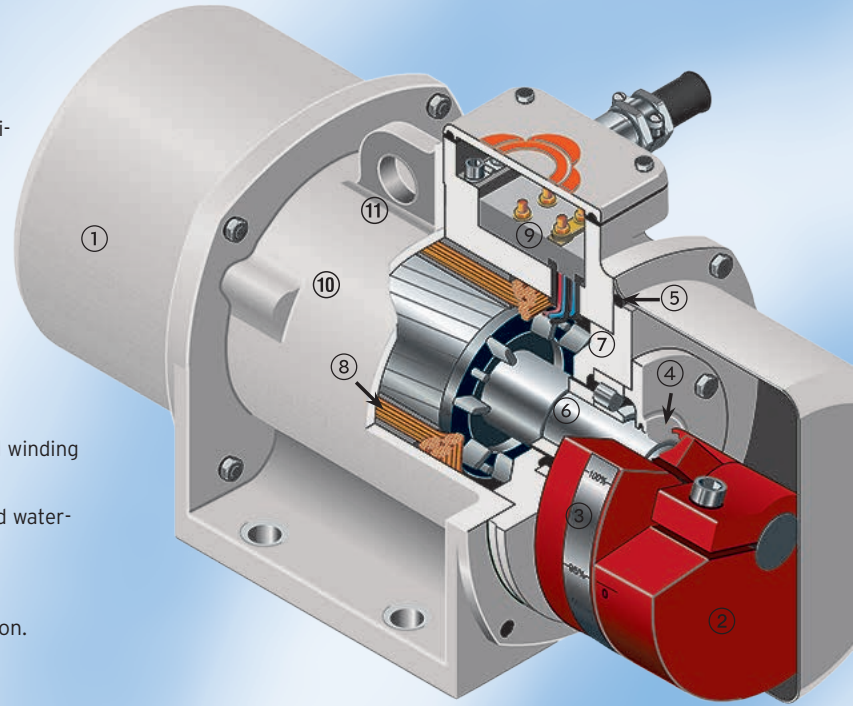


Vimarc®

>> Technical features

- ① Closed drawn stainless steel end cover
- ② Keyed outer flyweight for safety. Adjustable inner flyweight.
- ③ Etched and easily legible scale for infinitely variable adjustment of centrifugal force. Scale lines marked at 5% increments.
- ④ Labyrinth shaft seal
- ⑤ End covers sealed with thick round white silicon O-rings - 100% sealed against dust and moisture.
- ⑥ Heavy special purpose cylindrical roller bearings with increased internal clearance and crowned inner rings. Lubricated for life - maintenance free design.
- ⑦ Heavy bearing housing, supports the transmission of centrifugal force through to the frame.
- ⑧ Electrical components suitable for use under heavy vibration with special winding epoxy impregnation.
- ⑨ Firmly integrated cast-in terminal box to withstand heavy stress. Dust and water-spray proof.
- ⑩ Robust casing totally enclosed
- ⑪ Casing with cast-in lifting lugs for safe and easy mounting in any position.

>> Bearings lubricated for life – no re-greasing required
 >> 100% maintenance free
 >> Energy efficient



Power Supply: Voltages from 115 to 690 V in 50/60 hertz. Acceptable for use with Variable Frequency Drives.

Number of Poles: Standard: 4, 6, and 8 pole

Enclosure Protection: IP 66

Thermal class: F (155 °C) according to DIN EN 60034-1

Tropical insulation: Standard

Bearings: FRIEDRICH/Vimarc® vibrator motors have been produced maintenance-free for over 50 years with great success. The mounted cylindrical roller bearings with high carrying load and increased bearing play are factory-lubricated for life with a special grease. Regreasing can cause errors such as soiled lubricating nipples, too much, too little or the wrong grease. Use of FRIEDRICH/Vimarc® vibrator motors with lifetime lubrication will eliminate such errors, reduce your maintenance costs, and provide longer life.

Operation: Continuous duty at 100% centrifugal force setting.

Ambient Temperature: -20 to +40 °C (-4 to 104 °F). Special executions with special steel to -65 °C (-85 °F). Please contact us for use in higher ambient temperatures.

Mounting: Mounting allowed in any position. Mounting surface must be level (Rz 63) and clean with no paint. Use 8.8 (grade 5) strength bolts and (DIN EN ISO 7040) self-locking nuts. Do not use washers, spring washers, or other means to secure the motor. Tighten only with a torque wrench:

M 16 = 210 Nm (5/8" = 150 ft-lbs.)

M 20 = 410 Nm (3/4" = 260 ft-lbs.)

M 24 = 710 Nm (7/8" = 400 ft-lbs.)

Retighten bolts after 10 minutes of operation time. Check bolts and nuts frequently until retightening is no longer possible.

Electrical connection: Use highly flexible cable for heavy mechanical demands. Use for instance H07RN-F or A07RN-F according to DIN VDE 0282. Allow some slack and a loop in the cable and pay special attention to anything the cable might vibrate against and either secure it or clear it to prevent chafing under vibration. Properly tighten the terminal box cover to prevent dust and moisture from entering.

Cable Pre-assembly: We have a wide range of different power supply cables in standard lengths available that can be factory installed. In addition the terminal box wire connections are completely secured from vibration and contamination.

Frequency Inverter Operation: The FP Series motors are suitable for use with Frequency inverter drive of the PWM type. Note that the frequency converter must not only be sized for the electrical power consumption, but also to the starting current load. Please contact us prior to using at above the name-plated frequency of the motor. Note that too low an operating frequency can create resonance issues with the spring isolation system.

Thermal Overload Protection: PTC thermistors rated at 120 °C are available for all vibrator motors on request.

Certifications: The following Certifications are available on request:

Ⓢ II 3 D, T 120 °C.

Vibrator motors for potentially explosive atmospheres of Zone 22 (dust) according to RL 94/9/EG ATEX 95 with an EU Declaration of Conformity for the whole range.

FP types

FRIEDRICH/VIMARC® is the world's first vibrator motor manufacturer that developed motors especially for applications in the food processing plants and also in the field of pharmaceuticals and chemicals. Our FP model motor series is now developed for the purpose of meeting a growing demand in the industry for improved hygiene and cleanability, and this product line provides a perfect solution.

The new FP series is characterized by the fact that all ribs and blind spots are constructively eliminated and mounting surfaces are minimized on the machine.

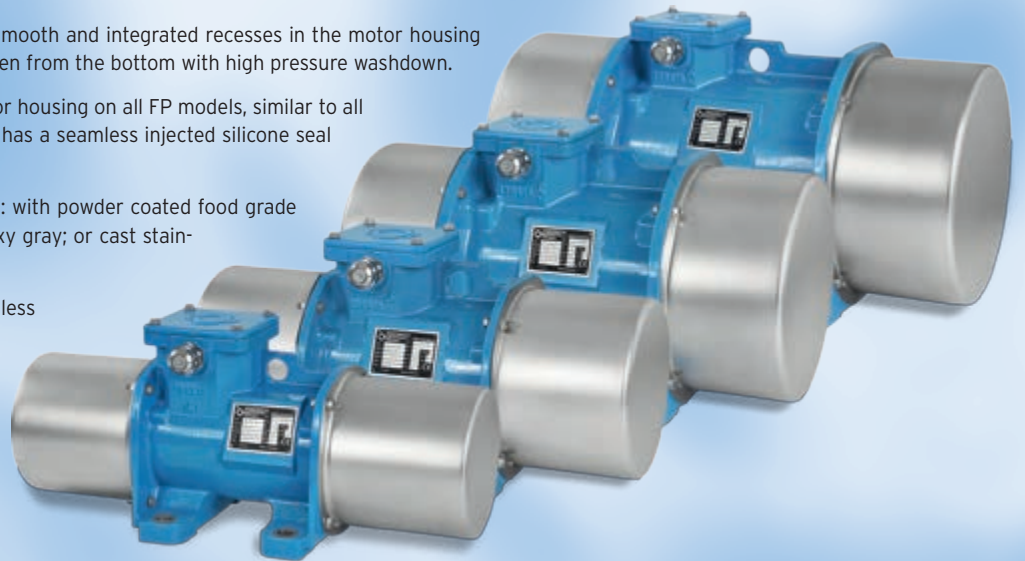
Furthermore, the casting surface is extremely smooth and integrated recesses in the motor housing allows a light and safe cleaning of the motor, even from the bottom with high pressure washdown.

The terminal box is integrally cast with the stator housing on all FP models, similar to all the FRIEDRICH models. The terminal box cover has a seamless injected silicone seal which cannot be lost.

The FP series can be supplied in three versions: with powder coated food grade epoxy (RAL 5015) blue; Steel-It food grade epoxy gray; or cast stainless steel.

The end covers are standard deep drawn stainless steel sheet, but can also be provided with stainless steel split cover option for easy access and adjustment of the flyweights in tight locations.

The FP series motors otherwise meets all the requirements and specifications of the FRIEDRICH/Vimarc® brands.



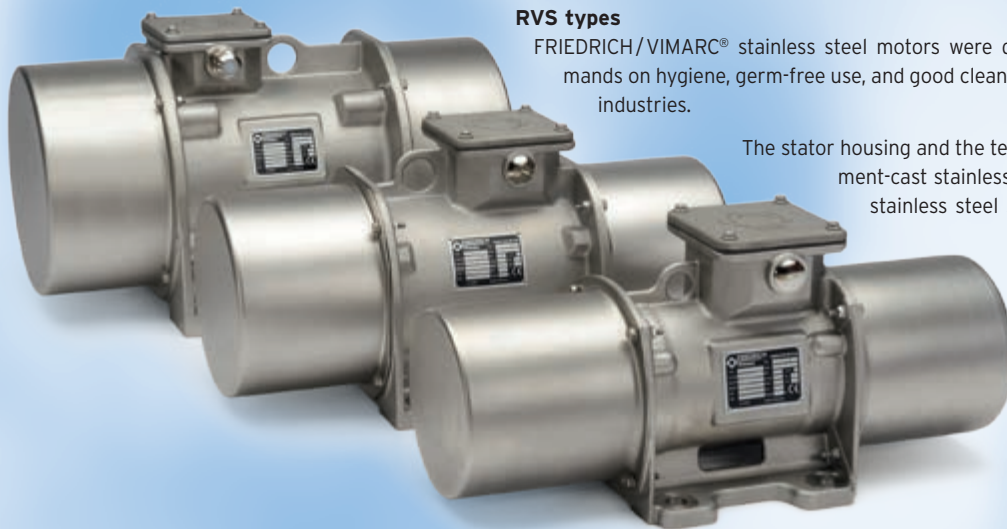
RVS types

FRIEDRICH/VIMARC® stainless steel motors were developed to meet the constantly increasing demands on hygiene, germ-free use, and good cleaning characteristics in the food and pharmaceutical industries.

The stator housing and the terminal box cover of this series are made of investment-cast stainless steel and are hermetically sealed by deep-drawn stainless steel sheet metal covers. Special cleaning openings in the stainless steel housing provide excellent cleaning possibilities on the underside of the housing.

The smooth motor surface - without any ribbing - allows absolutely no formation of germs.

The RVS series motors otherwise meets all the requirements and specifications of the FRIEDRICH/Vimarc® brands.



FP-Type | Dimensions



4 pole vibrator motors (1800 min⁻¹), nominal current at 460 V

Working moment in-lb	Centrifugal force Pounds	Power consumption HP	Power consumption kW	Nominal current A	Power factor cos φ	Starting current ratio IA/IN	Type	Dimension Sketch #	Motor base No.	Dimensions inches											Weight lbs.	
										a	b	c	d	e	f	g	φG	h	k	n		p
35	1598	0.40	0.30	0.89	0.75	4.4	AFPZ 40-4	A	2	5.51	6.69	0.87	6.34	7.28	8.27	7.17	0.71	3.78	16.77	1.77	9.25	71
52	2396	1.05	0.78	1.81	0.76	5.3	BFPZ 60-4	A	2	5.51	6.69	0.91	7.56	8.39	8.66	8.90	0.71	4.33	16.38	1.97	10.39	101
65	2997	1.05	0.78	1.81	0.76	5.3	BFPZ 75-4	A	2	5.51	6.69	0.91	7.56	8.39	8.66	8.90	0.71	4.33	16.38	1.97	10.39	104
78	3595	1.05	0.78	1.81	0.76	5.3	BFPZ 90-4	A	2	5.51	6.69	0.91	7.56	8.39	8.66	8.90	0.71	4.33	16.38	1.97	10.39	110
108	4993	1.05	0.78	1.81	0.76	5.3	BFPZ 126-4	A	2	5.51	6.69	0.91	7.56	8.39	8.66	8.90	0.71	4.33	19.53	1.97	10.39	132
130	5991	1.05	0.78	1.81	0.76	5.3	BFPZ 151-4	A	2	5.51	6.69	0.91	7.56	8.39	8.66	8.90	0.71	4.33	19.53	1.97	10.39	141
130	5991	1.88	1.40	2.80	0.77	7.4	CFPZ 150-4	A	3-4B	6.54	9.06	1.14	9.84	9.92	11.02	11.10	0.87	5.51	18.23	2.87	12.01	201
174	7990	1.88	1.40	2.80	0.77	7.4	CFPZ 200-4	A	3-4B	6.54	9.06	1.14	9.84	9.92	11.02	11.10	0.87	5.51	18.23	2.87	12.01	212
174	7990	2.95	2.20	4.45	0.77	7.5	DFPZ 200-4	A	4-4B	8.27	9.76	1.30	11.22	11.69	11.97	12.60	1.02	6.22	20.00	2.83	13.31	267
260	11982	2.95	2.20	4.45	0.77	7.5	DFPZ 301-4	A	4-4B	8.27	9.76	1.30	11.22	11.69	11.97	12.60	1.02	6.22	23.15	2.83	13.31	271

6 pole vibrator motors (1200 min⁻¹), nominal current at 460 V

in-lb	Pounds	HP	kW	A	cos φ	IA/IN	Type	#		a	b	c	d	e	f	g	φG	h	k	n	p	lbs.
35	710	0.27	0.20	0.89	0.62	3.6	AFPZ 40-6	A	2	5.51	6.69	0.87	6.34	7.28	8.27	7.17	0.71	3.78	16.77	1.77	9.25	71
48	978	0.27	0.20	0.89	0.62	3.6	AFPZ 55-6	A	2	5.51	6.69	0.87	6.34	7.28	8.27	7.17	0.71	3.78	16.77	1.77	9.25	77
65	1333	0.27	0.20	0.89	0.62	3.6	AFPZ 75-6	A	2	5.51	6.69	0.87	6.34	7.28	8.27	7.17	0.71	3.78	20.31	1.77	9.25	82
78	1598	0.67	0.50	1.52	0.74	2.9	BFPZ 90-6	A	2	5.51	6.69	0.91	7.56	8.39	8.66	8.90	0.71	4.33	16.38	1.97	10.39	110
108	2219	0.67	0.50	1.52	0.74	2.9	BFPZ 125-6	A	2	5.51	6.69	0.91	7.56	8.39	8.66	8.90	0.71	4.33	19.53	1.97	10.39	128
130	2664	0.67	0.50	1.52	0.74	2.9	BFPZ 150-6	A	2	5.51	6.69	0.91	7.56	8.39	8.66	8.90	0.71	4.33	19.53	1.97	10.39	132
174	3552	0.67	0.50	1.52	0.74	2.9	BFPZ 201-6	A	2	5.51	6.69	0.91	7.56	8.39	8.66	8.90	0.71	4.33	22.44	1.97	10.39	152
174	3552	1.74	1.30	3.30	0.74	4.5	CFPZ 200-6	A	3-4B	6.54	9.06	1.14	9.84	9.92	11.02	11.10	0.87	5.51	18.23	2.87	12.01	203
217	4438	1.74	1.30	3.30	0.74	4.5	CFPZ 250-6	A	3-4B	6.54	9.06	1.14	9.84	9.92	11.02	11.10	0.87	5.51	20.20	2.87	12.01	216
260	5326	1.74	1.30	3.30	0.74	4.5	CFPZ 300-6	A	3-4B	6.54	9.06	1.14	9.84	9.92	11.02	11.10	0.87	5.51	20.20	2.87	12.01	234
304	6214	1.74	1.30	3.30	0.74	4.5	CFPZ 350-6	A	3-4B	6.54	9.06	1.14	9.84	9.92	11.02	11.10	0.87	5.51	20.20	2.87	12.01	238
434	8875	2.82	2.10	4.65	0.74	4.9	DFPZ 501-6	A	4-4B	8.27	9.76	1.30	11.22	11.69	11.97	12.60	1.02	6.22	24.88	2.83	13.31	335
521	10651	2.82	2.10	4.65	0.74	4.9	DFPZ 600-6	A	4-4B	8.27	9.76	1.30	11.22	11.69	11.97	12.60	1.02	6.22	24.88	2.83	13.31	362

8 pole vibrator motors (900 min⁻¹), nominal current at 460 V

in-lb	Pounds	HP	kW	A	cos φ	IA/IN	Type	#		a	b	c	d	e	f	g	φG	h	k	n	p	lbs.
26	301	0.20	0.15	0.53	0.6	5.6	AFPZ 30-8	A	2	5.51	6.69	0.87	6.34	7.28	8.27	7.17	0.71	3.78	16.77	1.77	9.25	66
35	400	0.20	0.15	0.53	0.6	5.6	AFPZ 40-8	A	2	5.51	6.69	0.87	6.34	7.28	8.27	7.17	0.71	3.78	16.77	1.77	9.25	71
65	751	0.20	0.15	0.53	0.6	5.6	AFPZ 75-8	A	2	5.51	6.69	0.87	6.34	7.28	8.27	7.17	0.71	3.78	20.31	1.77	9.25	82
82	949	0.20	0.15	0.53	0.6	5.6	AFPZ 95-8	A	2	5.51	6.69	0.87	6.34	7.28	8.27	7.17	0.71	3.78	20.31	1.77	9.25	90
108	1250	0.60	0.45	1.65	0.59	3.0	BFPZ 125-8	A	2	5.51	6.69	0.91	7.56	8.39	8.66	8.90	0.71	4.33	19.53	1.97	10.39	123
130	1499	0.60	0.45	1.65	0.59	3.0	BFPZ 150-8	A	2	5.51	6.69	0.91	7.56	8.39	8.66	8.90	0.71	4.33	19.53	1.97	10.39	134
174	1999	0.60	0.45	1.65	0.59	3.0	BFPZ 200-8	A	2	5.51	6.69	0.91	7.56	8.39	8.66	8.90	0.71	4.33	22.44	1.97	10.39	141
217	2498	1.48	1.10	3.20	0.64	3.8	CFPZ 250-8	A	3-4B	6.54	9.06	1.14	9.84	9.92	11.02	11.10	0.87	5.51	20.20	2.87	12.01	223
260	2997	1.48	1.10	3.20	0.64	3.8	CFPZ 300-8	A	3-4B	6.54	9.06	1.14	9.84	9.92	11.02	11.10	0.87	5.51	20.20	2.87	12.01	234
304	3496	1.48	1.10	3.20	0.64	3.8	CFPZ 350-8	A	3-4B	6.54	9.06	1.14	9.84	9.92	11.02	11.10	0.87	5.51	21.81	2.87	12.01	238
434	4993	2.41	1.80	4.45	0.72	4.2	DFPZ 500-8	A	4-4B	8.27	9.76	1.30	11.22	11.69	11.97	12.60	1.02	6.22	23.15	2.83	13.31	331
521	5991	2.41	1.80	4.45	0.72	4.2	DFPZ 600-8	A	4-4B	8.27	9.76	1.30	11.22	11.69	11.97	12.60	1.02	6.22	24.88	2.83	13.31	362

» FP-Type | Dimensions



4 pole vibrator motors (1500 min⁻¹), nominal current at 400 V

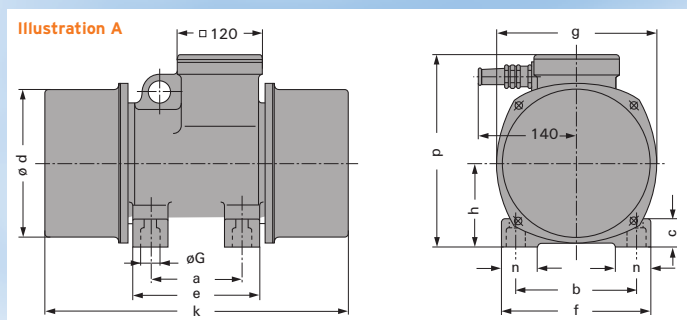
in-lb	Pounds	HP	kW	A	cos φ	IA/IN		#		a	b	c	d	e	f	g	øG	h	k	n	p	lbs.
26	834	0.40	0.30	0.86	0.75	4.4	AFP 30-4	A	2	5.51	6.69	0.87	6.34	7.28	8.27	7.17	0.71	3.78	16.77	1.77	9.25	66
35	1111	0.40	0.30	0.86	0.75	4.4	AFP 40-4	A	2	5.51	6.69	0.87	6.34	7.28	8.27	7.17	0.71	3.78	16.77	1.77	9.25	71
48	1526	0.40	0.30	0.86	0.75	4.4	AFP 55-4	A	2	5.51	6.69	0.87	6.34	7.28	8.27	7.17	0.71	3.78	16.77	1.77	9.25	77
65	2082	0.94	0.70	1.66	0.84	4.6	BFP 75-4	A	2	5.51	6.69	0.91	7.56	8.39	8.66	8.90	0.71	4.33	16.38	1.97	10.39	104
78	2498	0.94	0.70	1.66	0.84	4.6	BFP 90-4	A	2	5.51	6.69	0.91	7.56	8.39	8.66	8.90	0.71	4.33	16.38	1.97	10.39	110
108	3469	0.94	0.70	1.66	0.84	4.6	BFP 125-4	A	2	5.51	6.69	0.91	7.56	8.39	8.66	8.90	0.71	4.33	19.53	1.97	10.39	128
130	4161	0.94	0.70	1.66	0.84	4.6	BFP 150-4	A	2	5.51	6.69	0.91	7.56	8.39	8.66	8.90	0.71	4.33	19.53	1.97	10.39	132
130	4161	1.74	1.30	2.55	0.86	6.4	CFP 150-4	A	3-4B	6.54	9.06	1.14	9.84	9.92	11.02	11.10	0.87	5.51	18.23	2.87	12.01	201
174	5548	1.74	1.30	2.55	0.86	6.4	CFP 200-4	A	3-4B	6.54	9.06	1.14	9.84	9.92	11.02	11.10	0.87	5.51	18.23	2.87	12.01	212
174	5548	2.68	2.00	4.10	0.85	6.5	DFP 200-4	A	4-4B	8.27	9.76	1.30	11.22	11.69	11.97	12.60	1.02	6.22	20.00	2.83	13.31	267
260	8322	2.68	2.00	4.10	0.85	6.5	DFP 300-4	A	4-4B	8.27	9.76	1.30	11.22	11.69	11.97	12.60	1.02	6.22	20.00	2.83	13.31	284
360	11510	2.68	2.00	4.10	0.85	6.5	DFP 415-4	A	4-4B	8.27	9.76	1.30	11.22	11.69	11.97	12.60	1.02	6.22	23.15	2.83	13.31	309

6 pole vibrator motors (1000 min⁻¹), nominal current at 400 V

in-lb	Pounds	HP	kW	A	cos φ	IA/IN		#		a	b	c	d	e	f	g	øG	h	k	n	p	lbs.
35	495	0.27	0.20	0.86	0.62	3.6	AFP 40-6	A	2	5.51	6.69	0.87	6.34	7.28	8.27	7.17	0.71	3.78	16.77	1.77	9.25	71
48	679	0.27	0.20	0.86	0.62	3.6	AFP 55-6	A	2	5.51	6.69	0.87	6.34	7.28	8.27	7.17	0.71	3.78	16.77	1.77	9.25	77
65	926	0.27	0.20	0.86	0.62	3.6	AFP 75-6	A	2	5.51	6.69	0.87	6.34	7.28	8.27	7.17	0.71	3.78	20.31	1.77	9.25	82
82	1171	0.27	0.20	0.86	0.62	3.6	AFP 95-6	A	2	5.51	6.69	0.87	6.34	7.28	8.27	7.17	0.71	3.78	20.31	1.77	9.25	90
108	1542	0.60	0.45	1.40	0.82	2.5	BFP 125-6	A	2	5.51	6.69	0.91	7.56	8.39	8.66	8.90	0.71	4.33	19.53	1.97	10.39	123
130	1850	0.60	0.45	1.40	0.82	2.5	BFP 150-6	A	2	5.51	6.69	0.91	7.56	8.39	8.66	8.90	0.71	4.33	19.53	1.97	10.39	134
174	2466	0.60	0.45	1.40	0.82	2.5	BFP 200-6	A	2	5.51	6.69	0.91	7.56	8.39	8.66	8.90	0.71	4.33	22.44	1.97	10.39	143
174	2466	1.61	1.20	3.05	0.82	3.9	CFP 200-6	A	3-4B	6.54	9.06	1.14	9.84	9.92	11.02	11.10	0.87	5.51	18.23	2.87	12.01	203
217	3082	1.61	1.20	3.05	0.82	3.9	CFP 250-6	A	3-4B	6.54	9.06	1.14	9.84	9.92	11.02	11.10	0.87	5.51	20.20	2.87	12.01	216
260	3698	1.61	1.20	3.05	0.82	3.9	CFP 300-6	A	3-4B	6.54	9.06	1.14	9.84	9.92	11.02	11.10	0.87	5.51	20.20	2.87	12.01	234
304	4316	1.61	1.20	3.05	0.82	3.9	CFP 350-6	A	3-4B	6.54	9.06	1.14	9.84	9.92	11.02	11.10	0.87	5.51	21.81	2.87	12.01	238
434	6164	2.55	1.90	4.30	0.82	4.2	DFP 500-6	A	4-4B	8.27	9.76	1.30	11.22	11.69	11.97	12.60	1.02	6.22	23.15	2.83	13.31	331
434	6164	2.55	1.90	4.30	0.82	4.2	DFP 501-6	A	4-4B	8.27	9.76	1.30	11.22	11.69	11.97	12.60	1.02	6.22	24.88	2.83	13.31	335
521	7396	2.55	1.90	4.30	0.82	4.2	DFP 600-6	A	4-4B	8.27	9.76	1.30	11.22	11.69	11.97	12.60	1.02	6.22	24.88	2.83	13.31	362

8 pole vibrator motors (750 min⁻¹), nominal current at 400 V

in-lb	Pounds	HP	kW	A	cos φ	IA/IN		#		a	b	c	d	e	f	g	øG	h	k	n	p	lbs.
26	209	0.20	0.15	0.51	0.60	5.6	AFP 30-8	A	2	5.51	6.69	0.87	6.34	7.28	8.27	7.17	0.71	3.78	16.77	1.77	9.25	66
35	279	0.20	0.15	0.51	0.60	5.6	AFP 40-8	A	2	5.51	6.69	0.87	6.34	7.28	8.27	7.17	0.71	3.78	16.77	1.77	9.25	71
65	522	0.20	0.15	0.51	0.60	5.6	AFP 75-8	A	2	5.51	6.69	0.87	6.34	7.28	8.27	7.17	0.71	3.78	20.31	1.77	9.25	82
82	661	0.20	0.15	0.51	0.60	5.6	AFP 95-8	A	2	5.51	6.69	0.87	6.34	7.28	8.27	7.17	0.71	3.78	20.31	1.77	9.25	90
108	868	0.54	0.40	1.52	0.65	2.6	BFP 125-8	A	2	5.51	6.69	0.91	7.56	8.39	8.66	8.90	0.71	4.33	19.53	1.97	10.39	123
130	1041	0.54	0.40	1.52	0.65	2.6	BFP 150-8	A	2	5.51	6.69	0.91	7.56	8.39	8.66	8.90	0.71	4.33	19.53	1.97	10.39	134
174	1387	0.54	0.40	1.52	0.65	2.6	BFP 200-8	A	2	5.51	6.69	0.91	7.56	8.39	8.66	8.90	0.71	4.33	22.44	1.97	10.39	141
217	1736	1.34	1.00	2.95	0.71	3.3	CFP 250-8	A	3-4B	6.54	9.06	1.14	9.84	9.92	11.02	11.10	0.87	5.51	20.20	2.87	12.01	223
260	2082	1.34	1.00	2.95	0.71	3.3	CFP 300-8	A	3-4B	6.54	9.06	1.14	9.84	9.92	11.02	11.10	0.87	5.51	20.20	2.87	12.01	234
304	2428	1.34	1.00	2.95	0.71	3.3	CFP 350-8	A	3-4B	6.54	9.06	1.14	9.84	9.92	11.02	11.10	0.87	5.51	21.81	2.87	12.01	238
434	3469	2.15	1.60	4.10	0.80	3.6	DFP 500-8	A	4-4B	8.27	9.76	1.30	11.22	11.69	11.97	12.60	1.02	6.22	23.15	2.83	13.31	331
521	4161	2.15	1.60	4.10	0.80	3.6	DFP 600-8	A	4-4B	8.27	9.76	1.30	11.22	11.69	11.97	12.60	1.02	6.22	24.88	2.83	13.31	362



schematic diagram

>> RVS-Type | Dimensions

60 Hz

4 pole vibrator motors (1800 min⁻¹), nominal current at 460 V

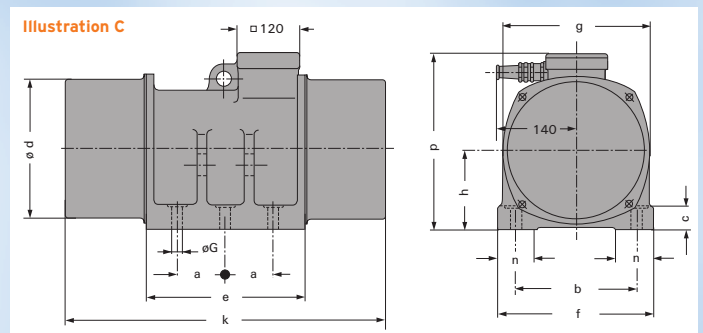
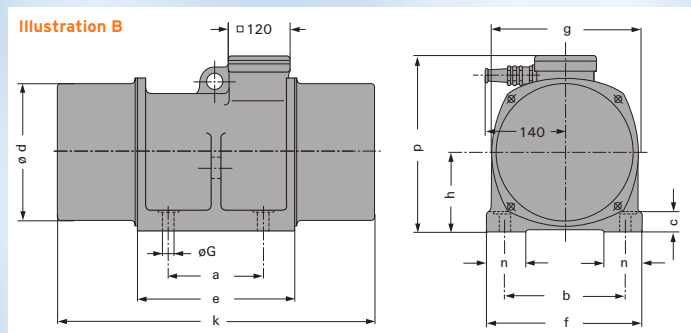
Working moment in-lb	Centrifugal force Pounds	Power consumption HP	Power consumption kW	Nominal current A	Power factor cos φ	Starting current ratio IA/IN	Type	Dimension Sketch #	Motor base No.	Dimensions inches											Weight lbs.	
										a	b	c	d	e	f	g	φG	h	k	n		p
26	1198	0.40	0.30	0.89	0.75	4.4	AXZ 30-4-RVS	B	2	5.51	6.69	0.59	6.34	7.56	8.27	7.09	0.71	4.53	16.06	2.20	8.86	66
35	1598	0.40	0.30	0.89	0.75	4.4	AXZ 40-4-RVS	B	2	5.51	6.69	0.59	6.34	7.56	8.27	7.09	0.71	4.53	16.06	2.20	8.86	71
52	2396	1.05	0.78	1.81	0.76	5.3	BXZ 60-4-RVS	B	2	5.51	6.69	0.71	7.56	8.35	8.66	8.82	0.71	4.49	16.38	2.36	10.16	99
65	2997	1.05	0.78	1.81	0.76	5.3	BXZ 75-4-RVS	B	2	5.51	6.69	0.71	7.56	8.35	8.66	8.82	0.71	4.49	16.38	2.36	10.16	104
78	3595	1.05	0.78	1.81	0.76	5.3	BXZ 90-4-RVS	B	2	5.51	6.69	0.71	7.56	8.35	8.66	8.82	0.71	4.49	16.38	2.36	10.16	106
108	4993	1.05	0.78	1.81	0.76	5.3	BXZ 126-4-RVS	B	2	5.51	6.69	0.71	7.56	8.35	8.66	8.82	0.71	4.49	19.53	2.36	10.16	123
130	5991	1.05	0.78	1.81	0.76	5.3	BXZ 151-4-RVS	B	2	5.51	6.69	0.71	7.56	8.35	8.66	8.82	0.71	4.49	19.53	2.36	10.16	132
130	5991	1.88	1.40	2.80	0.77	7.4	CXZ 150-4-RVS	C	3	3.27	9.06	0.91	9.84	10.00	11.02	11.10	0.87	5.91	18.23	2.95	12.05	192
174	7990	1.88	1.40	2.80	0.77	7.4	CXZ 200-4-RVS	C	3	3.27	9.06	0.91	9.84	10.00	11.02	11.10	0.87	5.91	18.23	2.95	12.05	203

6 pole vibrator motors (1200 min⁻¹), nominal current at 460 V

in-lb	Pounds	HP	kW	A	cos φ	IA/IN	Type	#		a	b	c	d	e	f	g	φG	h	k	n	p	lbs.
35	710	0.27	0.20	0.89	0.62	3.6	AXZ 40-6-RVS	B	2	5.51	6.69	0.59	6.34	7.56	8.27	7.09	0.71	4.53	16.06	2.20	8.86	71
48	978	0.27	0.20	0.89	0.62	3.6	AXZ 55-6-RVS	B	2	5.51	6.69	0.59	6.34	7.56	8.27	7.09	0.71	4.53	16.06	2.20	8.86	77
65	1333	0.27	0.20	0.89	0.62	3.6	AXZ 75-6-RVS	B	2	5.51	6.69	0.59	6.34	7.56	8.27	7.09	0.71	4.53	19.61	2.20	8.86	82
78	1598	0.67	0.50	1.52	0.74	2.9	BXZ 90-6-RVS	B	2	5.51	6.69	0.71	7.56	8.35	8.66	8.82	0.71	4.49	16.38	2.36	10.16	115
108	2219	0.67	0.50	1.52	0.74	2.9	BXZ 125-6-RVS	B	2	5.51	6.69	0.71	7.56	8.35	8.66	8.82	0.71	4.49	19.53	2.36	10.16	123
130	2664	0.67	0.50	1.52	0.74	2.9	BXZ 150-6-RVS	B	2	5.51	6.69	0.71	7.56	8.35	8.66	8.82	0.71	4.49	19.53	2.36	10.16	134
174	3552	0.67	0.50	1.52	0.74	2.9	BXZ 201-6-RVS	B	2	5.51	6.69	0.71	7.56	8.35	8.66	8.82	0.71	4.49	22.44	2.36	10.16	148
174	3552	1.74	1.30	3.30	0.74	4.5	CXZ 200-6-RVS	C	3	3.27	9.06	0.91	9.84	10.00	11.02	11.10	0.87	5.91	18.23	2.95	12.05	203
217	4438	1.74	1.30	3.30	0.74	4.5	CXZ 250-6-RVS	C	3	3.27	9.06	0.91	9.84	10.00	11.02	11.10	0.87	5.91	20.20	2.95	12.05	216
260	5326	1.74	1.30	3.30	0.74	4.5	CXZ 300-6-RVS	C	3	3.27	9.06	0.91	9.84	10.00	11.02	11.10	0.87	5.91	20.20	2.95	12.05	234
304	6214	1.74	1.30	3.30	0.74	4.5	CXZ 350-6-RVS	C	3	3.27	9.06	0.91	9.84	10.00	11.02	11.10	0.87	5.91	21.81	2.95	12.05	238

8 pole vibrator motors (900 min⁻¹), nominal current at 460 V

in-lb	Pounds	HP	kW	A	cos φ	IA/IN	Type	#		a	b	c	d	e	f	g	φG	h	k	n	p	lbs.
26	301	0.20	0.15	0.53	0.60	5.6	AXZ 30-8-RVS	B	2	5.51	6.69	0.59	6.34	7.56	8.27	7.09	0.71	4.53	16.06	2.20	8.86	66
35	400	0.20	0.15	0.53	0.60	5.6	AXZ 40-8-RVS	B	2	5.51	6.69	0.59	6.34	7.56	8.27	7.09	0.71	4.53	16.06	2.20	8.86	71
65	751	0.20	0.15	0.53	0.60	5.6	AXZ 75-8-RVS	B	2	5.51	6.69	0.59	6.34	7.56	8.27	7.09	0.71	4.53	19.61	2.20	8.86	82
82	949	0.20	0.15	0.53	0.60	5.6	AXZ 95-8-RVS	B	2	5.51	6.69	0.59	6.34	7.56	8.27	7.09	0.71	4.53	19.61	2.20	8.86	90
108	1250	0.60	0.45	1.65	0.59	3.0	BXZ 125-8-RVS	B	2	5.51	6.69	0.71	7.56	8.35	8.66	8.82	0.71	4.49	19.53	2.36	10.16	123
130	1499	0.60	0.45	1.65	0.59	3.0	BXZ 150-8-RVS	B	2	5.51	6.69	0.71	7.56	8.35	8.66	8.82	0.71	4.49	19.53	2.36	10.16	134
174	1999	0.60	0.45	1.65	0.59	3.0	BXZ 200-8-RVS	B	2	5.51	6.69	0.71	7.56	8.35	8.66	8.82	0.71	4.49	22.44	2.36	10.16	141
217	2498	1.61	1.20	3.75	0.75	4.8	CXZ 250-8-RVS	C	3	3.27	9.06	0.91	9.84	10.00	11.02	11.10	0.87	5.91	20.20	2.95	12.05	223
260	2997	1.61	1.20	3.75	0.75	4.8	CXZ 300-8-RVS	C	3	3.27	9.06	0.91	9.84	10.00	11.02	11.10	0.87	5.91	20.20	2.95	12.05	234
304	3496	1.61	1.20	3.75	0.75	4.8	CXZ 350-8-RVS	C	3	3.27	9.06	0.91	9.84	10.00	11.02	11.10	0.87	5.91	21.81	2.95	12.05	238



schematic diagram

>> RVS-Type | Dimensions



4 pole vibrator motors (1500 min⁻¹), nominal current at 400 V

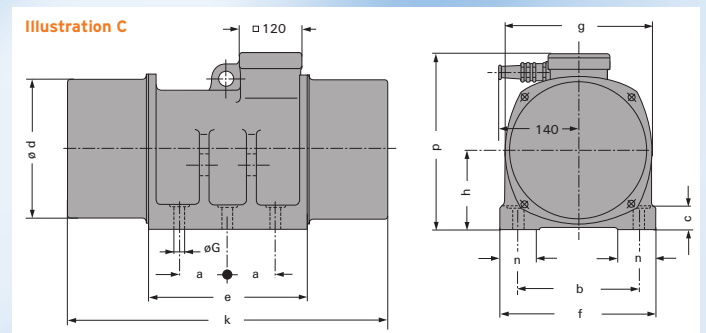
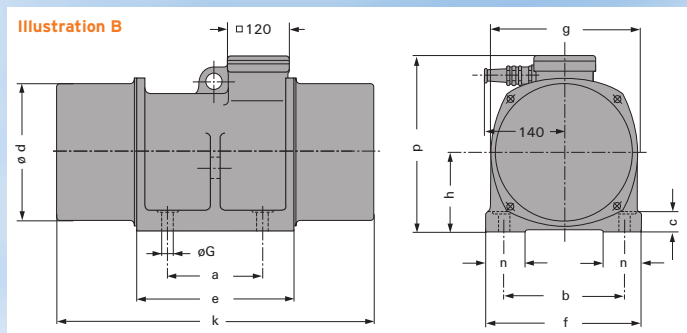
Working moment in-lb	Centrifugal force Pounds	Power consumption HP	Power consumption kW	Nominal current A	Power factor cos φ	Starting current ratio IA/IN	Type	Dimension Sketch #	Motor base No.	Dimensions inches											Weight lbs.	
										a	b	c	d	e	f	g	φG	h	k	n		p
26	834	0.40	0.30	0.86	0.75	4.4	AX 30-4-RVS	B	2	5.51	6.69	0.59	6.34	7.56	8.27	7.09	0.71	4.53	16.06	2.20	8.86	66
35	1111	0.40	0.30	0.86	0.75	4.4	AX 40-4-RVS	B	2	5.51	6.69	0.59	6.34	7.56	8.27	7.09	0.71	4.53	16.06	2.20	8.86	71
48	1526	0.40	0.30	0.86	0.75	4.4	AX 55-4-RVS	B	2	5.51	6.69	0.59	6.34	7.56	8.27	7.09	0.71	4.53	16.06	2.20	8.86	77
65	2082	0.94	0.70	1.66	0.84	4.6	BX 75-4-RVS	B	2	5.51	6.69	0.71	7.56	8.35	8.66	8.82	0.71	4.49	16.38	2.36	10.16	104
78	2498	0.94	0.70	1.66	0.84	4.6	BX 90-4-RVS	B	2	5.51	6.69	0.71	7.56	8.35	8.66	8.82	0.71	4.49	16.38	2.36	10.16	106
108	3469	0.94	0.70	1.66	0.84	4.6	BX 125-4-RVS	B	2	5.51	6.69	0.71	7.56	8.35	8.66	8.82	0.71	4.49	19.53	2.36	10.16	123
130	4161	0.94	0.70	1.66	0.84	4.6	BX 150-4-RVS	B	2	5.51	6.69	0.71	7.56	8.35	8.66	8.82	0.71	4.49	19.53	2.36	10.16	128
130	4161	1.74	1.30	2.55	0.86	6.4	CX 150-4-RVS	C	3	3.27	9.06	0.91	9.84	10.00	11.02	11.10	0.87	5.91	18.23	2.95	12.05	192
174	5548	1.74	1.30	2.55	0.86	6.4	CX 200-4-RVS	C	3	3.27	9.06	0.91	9.84	10.00	11.02	11.10	0.87	5.91	18.23	2.95	12.05	203

6 pole vibrator motors (1000 min⁻¹), nominal current at 400 V

in-lb	Pounds	HP	kW	A	cos φ	IA/IN	Type	#	a	b	c	d	e	f	g	φG	h	k	n	p	lbs.	
35	495	0.27	0.20	0.86	0.62	3.6	AX 40-6-RVS	B	2	5.51	6.69	0.59	6.34	7.56	8.27	7.09	0.71	4.53	16.06	2.20	8.86	71
48	679	0.27	0.20	0.86	0.62	3.6	AX 55-6-RVS	B	2	5.51	6.69	0.59	6.34	7.56	8.27	7.09	0.71	4.53	16.06	2.20	8.86	77
65	926	0.27	0.20	0.86	0.62	3.6	AX 75-6-RVS	B	2	5.51	6.69	0.59	6.34	7.56	8.27	7.09	0.71	4.53	19.61	2.20	8.86	82
82	1171	0.27	0.20	0.86	0.62	3.6	AX 95-6-RVS	B	2	5.51	6.69	0.59	6.34	7.56	8.27	7.09	0.71	4.53	19.61	2.20	8.86	90
108	1542	0.60	0.45	1.40	0.82	2.5	BX 125-6-RVS	B	2	5.51	6.69	0.71	7.56	8.35	8.66	8.82	0.71	4.49	19.53	2.36	10.16	123
130	1850	0.60	0.45	1.40	0.82	2.5	BX 150-6-RVS	B	2	5.51	6.69	0.71	7.56	8.35	8.66	8.82	0.71	4.49	19.53	2.36	10.16	134
174	2466	0.60	0.45	1.40	0.82	2.5	BX 201-6-RVS	B	2	5.51	6.69	0.71	7.56	8.35	8.66	8.82	0.71	4.49	22.44	2.36	10.16	148
174	2466	1.61	1.20	3.05	0.82	3.9	CX 200-6-RVS	C	3	3.27	9.06	0.91	9.84	10.00	11.02	11.10	0.87	5.91	18.23	2.95	12.05	203
217	3082	1.61	1.20	3.05	0.82	3.9	CX 250-6-RVS	C	3	3.27	9.06	0.91	9.84	10.00	11.02	11.10	0.87	5.91	20.20	2.95	12.05	216
260	3698	1.61	1.20	3.05	0.82	3.9	CX 300-6-RVS	C	3	3.27	9.06	0.91	9.84	10.00	11.02	11.10	0.87	5.91	20.20	2.95	12.05	234
304	4316	1.61	1.20	3.05	0.82	3.9	CX 350-6-RVS	C	3	3.27	9.06	0.91	9.84	10.00	11.02	11.10	0.87	5.91	21.81	2.95	12.05	238

8 pole vibrator motors (750 min⁻¹), nominal current at 400 V

in-lb	Pounds	HP	kW	A	cos φ	IA/IN	Type	#	a	b	c	d	e	f	g	φG	h	k	n	p	lbs.	
26	209	0.20	0.15	0.51	0.60	5.6	AX 30-8-RVS	B	2	5.51	6.69	0.59	6.34	7.56	8.27	7.09	0.71	4.53	16.06	2.20	8.86	66
35	279	0.20	0.15	0.51	0.60	5.6	AX 40-8-RVS	B	2	5.51	6.69	0.59	6.34	7.56	8.27	7.09	0.71	4.53	16.06	2.20	8.86	71
65	522	0.20	0.15	0.51	0.60	5.6	AX 75-8-RVS	B	2	5.51	6.69	0.59	6.34	7.56	8.27	7.09	0.71	4.53	19.61	2.20	8.86	82
82	661	0.20	0.15	0.51	0.60	5.6	AX 95-8-RVS	B	2	5.51	6.69	0.59	6.34	7.56	8.27	7.09	0.71	4.53	19.61	2.20	8.86	90
108	868	0.54	0.40	1.52	0.65	2.6	BX 125-8-RVS	B	2	5.51	6.69	0.71	7.56	8.35	8.66	8.82	0.71	4.49	19.53	2.36	10.16	123
130	1041	0.54	0.40	1.52	0.65	2.6	BX 150-8-RVS	B	2	5.51	6.69	0.71	7.56	8.35	8.66	8.82	0.71	4.49	19.53	2.36	10.16	134
174	1387	0.54	0.40	1.52	0.65	2.6	BX 200-8-RVS	B	2	5.51	6.69	0.71	7.56	8.35	8.66	8.82	0.71	4.49	22.44	2.36	10.16	141
217	1736	1.61	1.20	3.59	0.75	4.8	CX 250-8-RVS	C	3	3.27	9.06	0.91	9.84	10.00	11.02	11.10	0.87	5.91	20.20	2.95	12.05	223
260	2082	1.61	1.20	3.59	0.75	4.8	CX 300-8-RVS	C	3	3.27	9.06	0.91	9.84	10.00	11.02	11.10	0.87	5.91	20.20	2.95	12.05	234
304	2428	1.61	1.20	3.59	0.75	4.8	CX 350-8-RVS	C	3	3.27	9.06	0.91	9.84	10.00	11.02	11.10	0.87	5.91	21.81	2.95	12.05	238



schematic diagram



About Us

Vimarc was founded in 1951 in Breda, The Netherlands. We now manufacture our products in two locations to better serve the world markets, Houston, TX (since 2007) and Haan, Germany. Since our beginnings, we have been a leader in the supply of high quality, cost effective vibrator motors to industry in explosionproof, standard TENV, and now food grade versions.

Since 1973, our sister company FRIEDRICH Schwingtechnik GmbH was first to introduce a maintenance free vibrator motor product line with lifetime lubrication, as well as introduction of a line of unbalanced vibrating exciters.

Vimarc Inc. is also the distributor for FRIEDRICH Schwingtechnik GmbH vibrator motors and gear driven unbalanced exciters in the North American market, with the purpose of further market development and improving aftermarket support for North American customers.

Unbalance exciters



- » Centrifugal force: 21000 - 482000 N
- » Working moment: 390 - 12300 kgcm
- » Speed 50 Hz: 750, 1000, 1500 min⁻¹
- » Speed 60 Hz: 900, 1200 min⁻¹

Our further range of products:

- » Repair service
- » Spare parts service
- » Springs

Vibrator motors



- » Centrifugal force: 500 - 216600 N
- » Working moment: 1.2 - 6500 kgcm
- » Speed 50 Hz: 500, 600, 750, 1000, 1500, 3000 min⁻¹
- » Speed 60 Hz: 600, 900, 1200, 1800, 3600 min⁻¹

Ask for our special catalogues!

- VIMARC® vibrator motor 50 and 60 Hz
- VIMARC® explosion-proof-vibrator motor
- Spare parts
- FRIEDRICH Vibrator motor 50 and 60 Hz
- FRIEDRICH ATEX-vibrator motor

Hazardous location vibrator motors



- » II 2 G/D Ex e, T4/T3, T 120 °C
- » II 3 D, T 120 °C
- » II 2 G Ex d IIB T4
- » Class I, Groups C and D. Class II, Groups E, F and G
- » Class I, Division 1, Groups C and D, Class II, Division 1, Groups E, F and G

- FRIEDRICH Coupled motor
- FRIEDRICH Vibrator motor with stainless steel end cover
- FRIEDRICH Motor with split end covers

Copyright © Vimarc "®" is a registered trademark of Vimarc Inc.

This catalogue is protected by Copyright. Reproduction and public communication, also excerpts thereof, require our explicit written approval.

We are constantly updating our range of products. Latest product information is available on our internet page: www.vimarcusa.com



Vimarc Inc.

10757 Cutten Road #5 · Houston, TX 77066 · USA
 Phone: +1 (281) 440-0028 · Fax: +1 (281) 537-2371
www.vimarcusa.com · info@vimarcusa.com