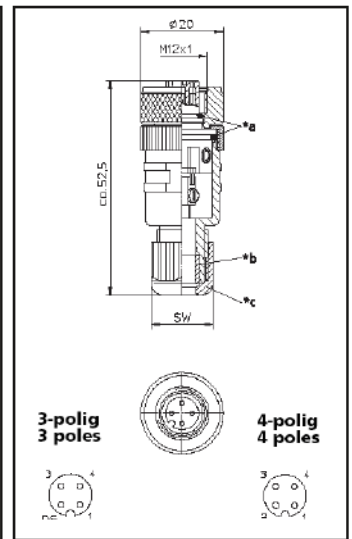
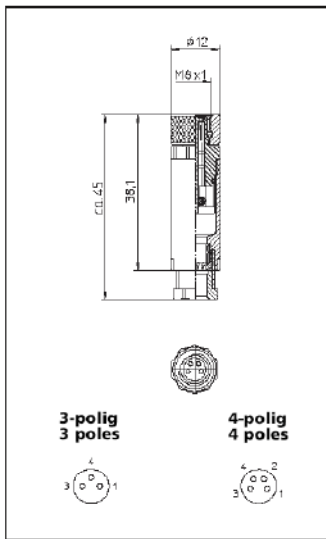


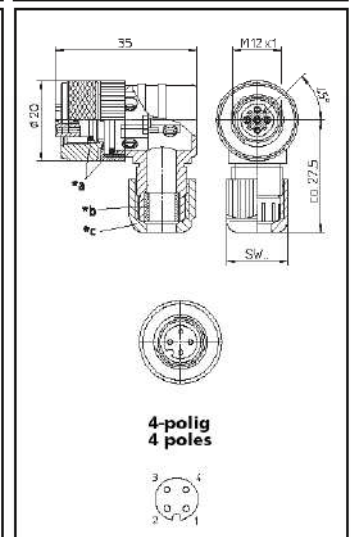
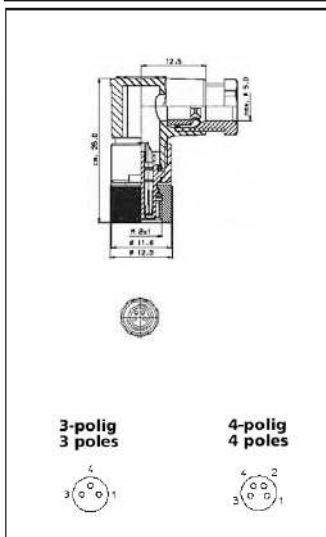
Accessories for Sensors

Field attachable sockets

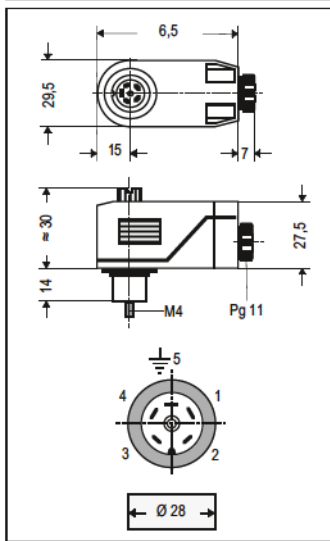
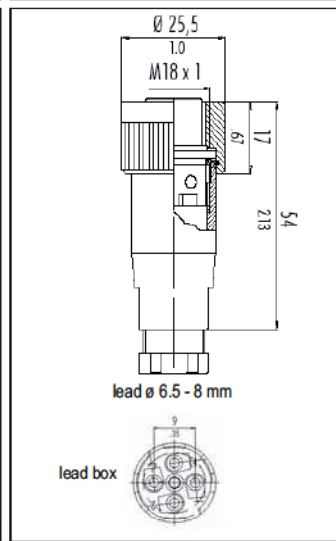
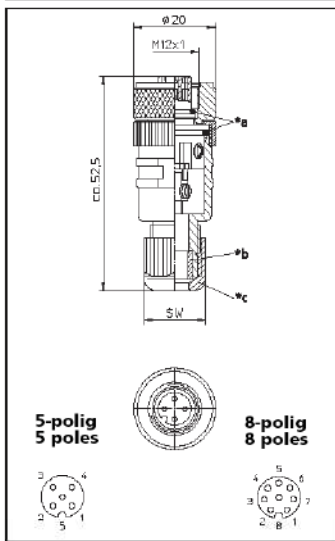
Connector; type of lead connection	lead socket M8; screwable straight	lead socket M12; screwable straight
Version		
Pole number: Type designation; ref. no.	3-pole: JSM8U3; 13.98-01	4-pole: JSM12U4; 13.98-06
Pole number: Type designation; ref. no.	4-pole: JSM8U4; 13.98-02	
Material: Housing / insulating body / contact carrier	PA / PA / TPU; self-extinguishing	PA / PA / PA
Flange	CuZn nickel-plated	CuZn nickel-plated
Contact material and surface	CuZn gold-plated	CuZn gold-plated
Nominal voltage; nominal current at 40 °C; contact resistance	60 V (4-pol. 30 V); 4 A; ≤ 5 mΩ	240 V; 4 A; ≤ 5 mΩ
Number of LED's and colour	0	0
Lead diameter	3.5 ... 5.0 mm	3.0 ... 6.5 mm
Recommended: Number of single cores x cross section	3 / 4 x 0.34 mm ²	3 / 4 x 0.34 mm ²
Protection rating acc. to IEC 60529 (screw locked)	IP 67	IP 67
Ambient temperature range	- 40 ... + 85 °C	- 25 ... + 90 °C
Manufacture	Lumberg RKMCK	Lumberg RKC



Connector; type of lead connection	socket M8; screwable angled	socket M12; screwable angled
Version		
Pole number: Type designation; ref. no.	3-pole: JSM8V3; 13.98-03	4-pole: JSM12V4; 13.98-08
Pole number: Type designation; ref. no.	4-pole: JSM8V4; 13.98-04	
Material: Housing / insulating body / contact carrier	PBT / PBT / PA	PA / PA / PA
Flange	CuZn	CuZn nickel-plated
Contact material and surface	CuSn gold-plated	CuZn gold-plated
Nominal voltage; nominal current at 40 °C; contact resistance	60 V (4-pol. 30 V); 4 A; ≤ 5 mΩ	240 V; 4 A; ≤ 5 mΩ
Number of LED's and colour	0	0
Lead diameter / PG-thread	3.5 ... 5.0 mm	3.0 ... 6.5 mm
Recommended: Number of single cores x cross section	3 / 4 x 0.34 mm ²	3 / 4 x 0.34 mm ²
Protection rating acc. to IEC 60529 (screw locked)	IP 67	IP 67
Ambient temperature range	- 40 ... + 85 °C	- 25 ... + 90 °C
Manufacture	Lumberg RKM CW	Lumberg RKC W



lead socket M12; screwable straight	lead socket M18; screwable straight	socket V28; screwable angled
5-pole: JSM12U5; 13.98-09	4-pole: JSM18U4; 13.98-13	5-pole: JSV28V5; 13.98-19
8-pole: JSM12U8; 13.98-10		
PA / PA / PA	PA / PA / PA	
CuZn nickel-plated	CuZn	
CuZn gold-plated	CuZn	
60 V (8-pol. 30 V); 4 A (8-pol. 2 A); ≤ 5 mΩ	250 V; 5 A; ≤ 8 mΩ	
0	0	
3.0 ... 6.5 mm	3.0 ... 6.5 mm	
5 / 8 x 0.34 mm ²	4 x 0.34 mm ²	
IP 67	IP 65	
- 25 ... + 90 °C	- 40 ... + 85 °C	
Lumberg RKC	Binder series 714	Binder



socket M12; screwable angled	socket M18; screwable angled
5-pole: JSM12V5; 13.98-11	4-pole: JSM18V4; 13.98-14
8-pole: JSM12V8; 13.98-12	
PA	PBT / PA / PA
CuZn nickel-plated	CuZn
CuSn gold-plated	CuZn
60 V (8-pol. 30 V); 4 A (8-pol. 2 A); ≤ 5 mΩ	250 V; 5 A; ≤ 8 mΩ
0	0
3.0 ... 6.5 mm (8-pol. 4.0 ... 8.0 mm)	3.0 ... 6.5 mm
5 / 8 x 0.34 mm ²	4 x 0.34 mm ²
IP 67	IP 65
- 25 ... + 90 °C	- 40 ... + 85 °C
Lumberg RKCW	Binder series 714

