

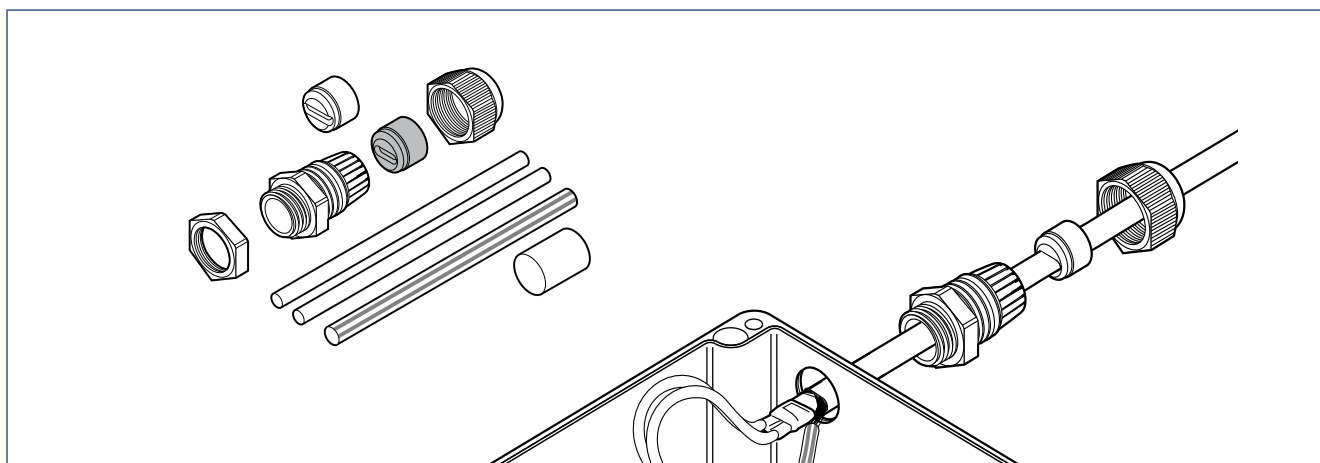
Heat-shrink connection kit



This connection kit is designed for terminating all Raychem BTV, QTVR, XTV, KTV and VPL industrial parallel heating cables to a junction box, whilst maintaining electrical insulation of the

heating cable conductors and core. The sealing of the heating cable core is provided by Raychem heat-shrinkable sleeves. Two grommets supplied in this kit enable the gland to maintain

optimum sealing under various ambient conditions. An additional locknut is provided for unthreaded entries.



Application

Connection kit for BTV, QTVR, XTV, KTV and VPL parallel heating cables

Kit contents

1 gland,
2 grommets,
1 locknut,
1 green/yellow tube, heat-shrinkable sleeves for core sealing,
1 installation instruction (multilingual)

Approvals

The kit is certified as part of the system approval of the various heating cables.

BTV

Baseefa06ATEX0183X
IECEX BAS 06.0043X

QTVR

Baseefa06ATEX0185X
IECEX BAS 06.0045X

XTV

Baseefa06ATEX0184X
IECEX BAS 06.0044X

KTV

Baseefa06ATEX0186X
IECEX BAS 06.0046X

VPL

Baseefa06ATEX0188X
IECEX BAS 06.0048X

II 2G Ex e II

II 2D Ex tD A21 IP66

This product also has all required approvals for use in Kazakhstan, Russia and other countries. Contact your local Tyco Thermal Controls representative for more details.

Product specification

Area classification	Hazardous, Zone 1, Zone 2 (Gas), Zone 21, Zone 22 (Dust) Ordinary
Type	Heat-shrinkable
Thread size	M25 x 1.5
Min. ambient temperature	-55°C
Max. exposure temperature (gland)	110°C
IP ingress protection rating	IP66

Ordering details

Part description	C25-21
PN (Weight)	311147-000 (0.06 kg)