



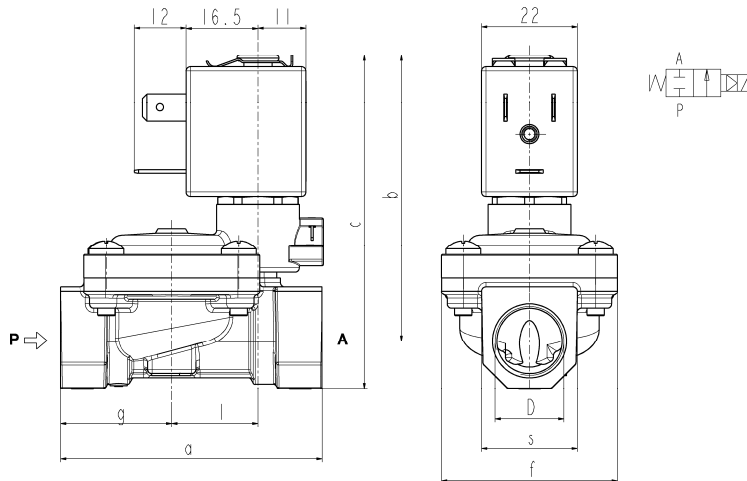
# SOLENOID VALVE

## 2/2- NC (Normally closed)

### Pilot operated

### G 3/8 ÷ G 1

# L182



D	a	b	c	f	g	l	s
G 3/8	60	66	77	40	25,5	20	22
G 1/2	66	68	82	40	29	20	27
G 3/4	79	72,5	89	50	35,5	24,5	33
G 1	105	85	106	71	46	28	42

#### ► GENERAL FEATURES

Diaphragm valve, pilot operated, having full orifice.  
Suitable to shut off liquid and gaseous fluids (verify the compatibility of fluid with material in contact).

#### ► TECHNICAL FEATURES

Maximum allowable pressure (PS) 20bar  
Opening time from ~300ms to ~1500ms  
Closing time from ~1000ms to ~2000ms  
Fluid temperature -10°C +90°C (NBR)  
0°C +130°C (FPM)  
-10°C +140°C (EPDM)  
Max viscosity 5°E (~37 cStokes or mm<sup>2</sup>/s)

#### ► MATERIALS IN CONTACT WITH FLUID

Body Brass  
Sealing NBR or FPM or EPDM  
Internal components Brass and stainless steel  
Seat Brass  
Core tube Stainless steel  
Shading coil Copper

#### ► COIL

Approval  
Encapsulation material

Insulation class  
Ambient temperature  
Continuous duty  
Electric connection

Protection degree

Voltages DC  
AC

\* On request

Approval  
Voltages AC

ZB10A	ZB12A *	ZB14A *
/	UL and CSA	UL and CSA
PA fiberglass reinforced	PET fiberglass reinforced	PET fiberglass reinforced
F (155°C) -10°C +60°C	F (155°C) -10°C +60°C	H (180°C) -10°C +75°C
ED 100%		
DIN 46340 - 3 poles plug connector		
IP 65 (EN 60529) with plug connector	IP 67 (EN 60529) with plug connector	IP 67 (EN 60529) with plug connector
12-24V (+10% -5%)		
24V/50-60Hz - 115V/50Hz - 230V/50-60Hz (+10% -15%)		
(Other voltages and frequencies on request).		
/	ZB12Y	ZB14Y
/	UL	UL
/	220-230V/50Hz 208-240V/60Hz (+10% -15%)	

Port size ISO 228	Orifice size (mm)	Differential pressure (bar)						Kv (m <sup>3</sup> /h)	Series and type			Power absorption				Sealings	Notes	Weight (kg)
		Δp min	Δp max				Valve		Valve with manual override	Coil	AC (VA)			DC				
			Gases		Liquids						Inrush VA	Holding						
			AC	DC	AC	DC						VA	VA		W			
3/8	13,5	0,35	16	16	16	16	2,5	L182(*)01	L182(*)02	ZB10A ZB12A	12	6	4	5,5	(*) = B (NBR)  (*) = V (FPM)  (*) = D (EPDM)	1-3	0,32	
1/2			16	16	16	16											3,8	0,38
3/4	18		12	12	12	12	5										2-3	0,52
1			24	12	12	12												12

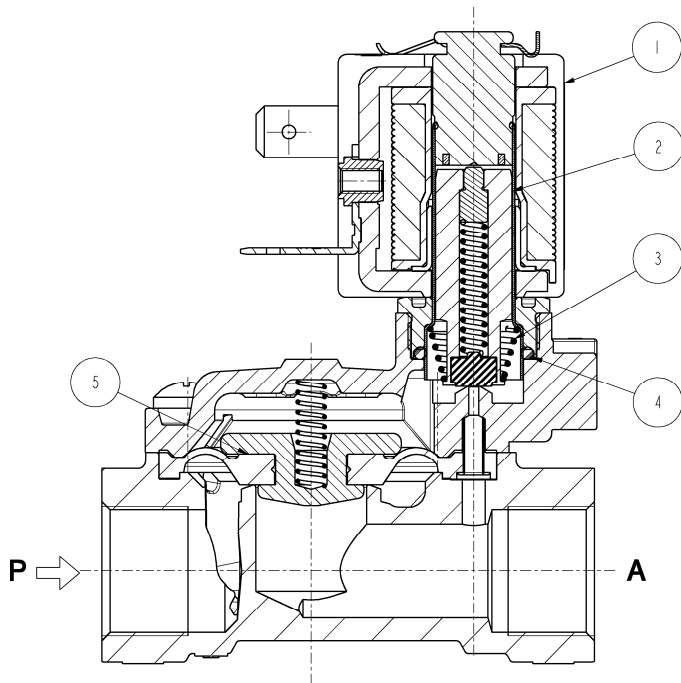
#### ► NOTES

- Sealings: B(NBR)=Nitrile-butylene elastomer V(FPM)=Fluoro-carbon elastomer D(EPDM)=Ethylene-propylene elastomer (WRAS/KTW certified compound)
- Operation with gaseous media, at high pressure without any outlet restriction, can reduce the diaphragm life.
- On request coil in class H (ZB14A - see § "COIL")
- The bracketed values of Δp max are related to valves with V(FPM) seals.
- 1 - Low power consumption coil on request (3,5 VA in AC - 3W in DC): Δp max = 12 bar
- 2 - Low power consumption coil on request (3,5 VA in AC - 3W in DC): Δp max = 8 bar
- 3 - L182D01 - L182D02: **WRAS** certified solenoid valves (certificate n. 1411048).

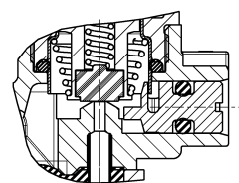
# L182

► SPARE PARTS

## L182 B-V-D01



## L182 B-V-D02



**Kit description**

**Kit P.N.**

**Consisting of:**

Core kit

L182B-V	G3138201
L182D	G3138202

Core kit pos.2  
Core return spring pos. 3  
O-Ring guide assembly pos. 4

Diaphragm assembly

L182B	3/8-1/2	2844302R
L182V	3/8-1/2	2844303R
L182D	3/8-1/2	2844306R
L182B	3/4	2299701R
	1	2380101R
L182V	3/4	2299702R
	1	2380102R
L182D	3/4	2299708R
	1	2380106R

Diaphragm assembly pos.5

Coil

ZB10
ZB12
ZB14

Coil pos.1

► **INSTALLATION**

- Solenoid valve can be mounted in any position; vertical with coil upwards preferred.

THE VALIDITY OF REPORTED DATA IS REFERRED TO THE DATE OF ISSUE. POSSIBLE UPDATES ARE AVAILABLE ON REQUEST