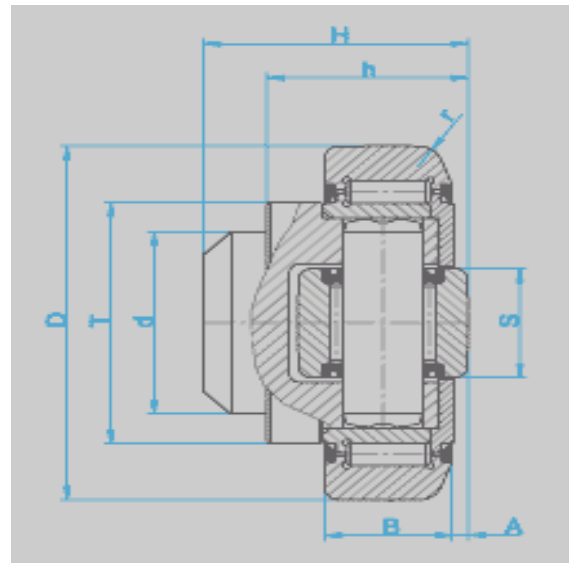


STANDARD COMBINATION BEARING CF Series



| Part Number | d mm | T mm | D mm | H mm | h mm | B mm | A mm | S mm | r mm | C KN | Co KN | Ca KN | Coa KN | Weight kgs | Profile Type |
|-------------|------|------|-------|------|------|------|------|------|------|------|-------|-------|--------|------------|--------------|
| CF4.053* | 30 | 40 | 52.5 | 33 | 27 | 17 | 5 | 15 | 2 | 24 | 33 | 10 | 14 | 0.46 | 53U |
| CF4.054-62* | 30 | 42 | 62 | 37.5 | 30.5 | 20 | 2.5 | 20 | 3 | 0.31 | 35.5 | 11.1 | 11.5 | 0.53 | 2890 |
| CF4.055-70 | 35 | 48 | 70.1 | 44 | 36 | 23 | 2.5 | 22 | 4 | 45.5 | 51 | 14 | 13 | 0.80 | 2867 |
| CF4.056-78 | 40 | 54 | 77.7 | 48 | 36.5 | 23 | 3 | 26 | 4 | 48 | 56.8 | 18 | 18 | 1.00 | 2810 |
| CF4.058-88 | 45 | 59 | 88.4 | 57 | 44 | 30 | 3.5 | 26 | 3 | 68 | 72 | 23 | 23 | 1.62 | 2811 |
| CF4.061-108 | 60 | 71 | 107.7 | 69 | 55 | 31 | 4 | 34 | 5 | 81 | 95 | 31 | 36 | 2.82 | 2862 |
| CF4.062-123 | 60 | 80 | 123 | 72.3 | 56 | 37 | 5 | 40 | 5 | 110 | 132 | 43 | 50 | 3.89 | 2891 |
| CF4.063-149 | 60 | 108 | 149 | 78.5 | 58.8 | 45 | 5.5 | 50 | 3 | 151 | 192 | 68 | 71 | 6.52 | 2757 |
| CF4.011-149 | 60 | 108 | 149 | 86 | 67 | 45 | 5.5 | 50 | 3 | 151 | 192 | 68 | 71 | 6.55 | 2757 |

*without lubrication

Other sizes available upon request.

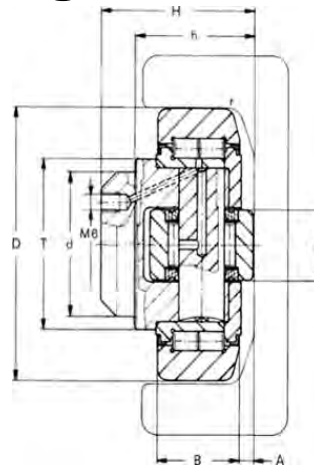
| | |
|-----|--------------------|
| C | Dynamic Load |
| Co | Static Load |
| Ca | Axial Dynamic Load |
| Coa | Axial Static Load |
| Dr | O.D. on enquiry |

| | |
|-------|--|
| NOTE: | Custom, close tolerance outside dimensions are available upon request. |
|-------|--|

WINKEL Combined Bearings



Fixed Axial Bearing



High Temp Units Available on Request

Standard Fixed Axial Bearing

Relubrication for sizes 4.055 thru 4.063

| Bearing only Part No. | Bearing with Rectangular Flange Plate Part No. | Bearing with Square Flange Plate Part No. | Dimensions | | | | | | | | | | Brg Wt. kg | Profile Part No. |
|-----------------------|--|---|------------|------|-------------|-------|------|------|------|------|------|---------|------------|------------------|
| | | | A mm | B mm | d (-0.05mm) | D* mm | h mm | H mm | r mm | S mm | T mm | RPM max | | |
| W-4.053 | W-4.053/APS | W-4.053/APS-Q | 5 | 17 | 30 | 52.5 | 27 | 33 | 2 | 15 | 40 | 800 | 0.46 | W-S |
| W-4.054 | W-4.054/AP0 | W-4.054/AP0-Q | 2.5 | 20 | 30 | 62.5 | 30.5 | 37.5 | 3 | 20 | 42 | 900 | 0.53 | W-0 Nb |
| W-4.055 | W-4.055/AP1 | W-4.055/AP1-Q | 2.5 | 23 | 35 | 70.1 | 36 | 44 | 4 | 22 | 48 | 900 | 0.80 | W-1 Nb W-3018 |
| W-4.056 | W-4.056/AP2 | W-4.056/AP2-Q | 3 | 23 | 40 | 77.7 | 36.5 | 48 | 4 | 26 | 54 | 800 | 1.00 | W-2 Nb |
| W-4.057 | ** | ** | 3 | 23 | 40 | 77.7 | 29 | 40 | 4 | 26 | 53 | 800 | 0.87 | W-3019 |
| W-4.058 | W-4.058/AP3.1 | W-4.058/AP3-Q | 3.5 | 30 | 45 | 88.4 | 44 | 57 | 3 | 26 | 59 | 750 | 1.62 | W-3 Nb W-3020 |
| W-4.059 | ** | ** | 3 | 28 | 50 | 101.2 | 33 | 46 | 3 | 30 | 67 | 700 | 1.74 | W-2912 |
| W-4.060 | ** | ** | 3 | 31 | 55 | 107.7 | 39 | 53 | 5 | 34 | 71 | 650 | 2.27 | W-3100 |
| W-4.061 | W-4.061/AP4 | W-4.061/AP4-Q | 4 | 31 | 60 | 107.7 | 55 | 69 | 5 | 34 | 71 | 650 | 2.82 | W-4 Nb |
| W-4.062 | W-4.062/AP4 | W-4.062/AP4-Q | 5 | 37 | 60 | 123 | 56 | 72.3 | 5 | 40 | 80 | 550 | 3.89 | W-5 Nb W-3353 |
| W-4.063 | W-4.063/AP6 | W-4.063/AP6-Q | 5.5 | 43 | 60 | 149 | 58.5 | 78.5 | 3 | 50 | 103 | 450 | 6.52 | W-6 Nb |

Profile & Bearing Load Ratings

CAD Drawing Download: www.winkel.de

| Bearing only Part No. | Profile | | Max Static Radial Load on Profile F_R kN | | Max Static Axial Load on Profile F_A kN | | Dynamic Load Capacity of Radial Brg C kN | Static Load Capacity of Radial Brg C_0 kN | Dynamic Load Capacity of Axial Brg C_A kN | Static Load Capacity of Axial Brg C_{0A} kN |
|-----------------------|-----------|-----------|--|-----------|---|-----------|--|---|---|---|
| | C-Profile | I-Profile | C-Profile | I-Profile | C-Profile | I-Profile | | | | |
| | | | | | | | | | | |
| W-4.053 | S | — | 5.23 | — | 1.68 | — | 24.0 | 32.0 | 7 | 7 |
| W-4.054 | 0 Nb | — | 9.40 | — | 3.10 | — | 31.0 | 35.5 | 11 | 11 |
| W-4.055 | 1 Nb | 3018 | 11.30 | 11.30 | 3.73 | 3.73 | 45.5 | 51.0 | 13 | 14 |
| W-4.056 | 2 Nb | — | 11.72 | — | 3.87 | — | 48.0 | 56.8 | 18 | 18 |
| W-4.057 | — | 3019 | — | 11.72 | — | 3.87 | 48.0 | 56.8 | 18 | 18 |
| W-4.058 | 3 Nb | 3020 | 20.47 | 20.47 | 6.76 | 6.76 | 68.0 | 72.0 | 23 | 23 |
| W-4.059 | — | 2912 | — | 20.11 | — | 6.70 | 73.0 | 82.0 | 25 | 27 |
| W-4.060 | — | 3100 | — | 21.68 | — | 7.16 | 81.0 | 95.0 | 31 | 36 |
| W-4.061 | 4 Nb | — | 21.68 | — | 7.16 | — | 81.0 | 95.0 | 31 | 36 |
| W-4.062 | 5 Nb | 3353 | 30.92 | 24.70 | 10.20 | 10.20 | 110.0 | 132.0 | 43 | 50 |
| W-4.063 | 6 Nb | — | 54.02 | — | 17.80 | — | 151.0 | 192.0 | 68 | 71 |

Note: * OD has a slight crown to accommodate misalignments. ** Flange Plates available on request. Bearings with 2RS Seals.

■ These sizes available in stainless (INOX), ratings will be lower.