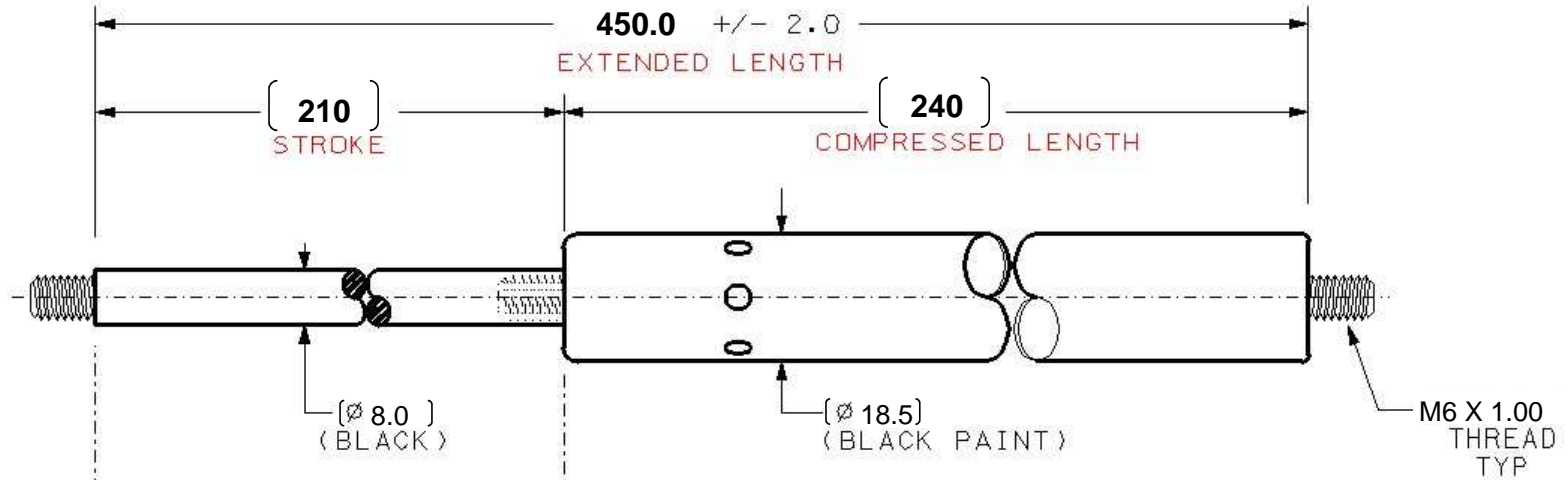
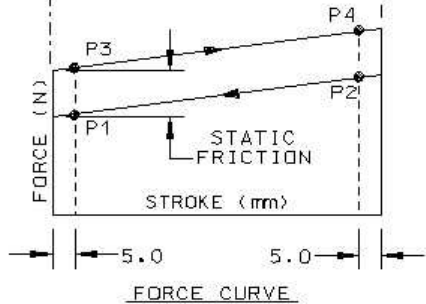



**CUSTOMER REFERENCE PRINT**



**UNCONTROLLED COPY**



FORCE SPECIFICATIONS (N) @ 20° C.		
P1 = 433 / 367 N @ 5.0MM		
CYLINDER LABEL		
1.) WHITE INKED PART I.D. TO READ: - DO NOT OPEN - HIGH PRESSURE - SUSPA GRAND RAPIDS, MI - DATE OF MANUFACTURE (YRWK) - SUSPA P/N - CUSTOMER P/N (IF REQ'D)		
DRAWN BY	DATE	SCALE
tsh	05/26/16	NONE

CUSTOMER	
CUSTOMER PART NO.	
ADVISE	
MODEL NO.	16-2 - 240 - 210 - AM6 - BM6 - 400 N
SUSPA PART NO.	C16-00TBD
	
3970 Roger B. Chaffee S.E. Grand Rapids, Michigan 49548-3497	

This Drawing / Information is the Property of Suspa Inc. and Must Not Be Copied or Given to Other Persons Without Our Consent