

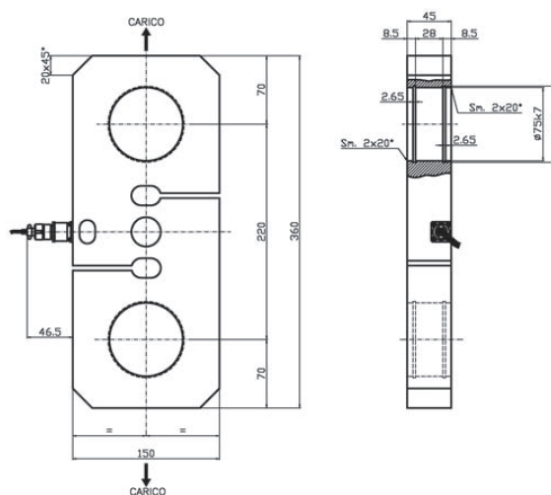
Tension load cell Mod. AF10

Tension load cells for hoppers weighing, strength of linkage levers, and weigh scales, suspended weighing with ropes and rods etc.
Tension load cell



Technical Specifications

Material	Steel
Capacities	11 t
Safe over load	150 % F.S.
Breaking overload	300 % F.S.
Supply voltage	Vcc 15 Max
Output	2 mV/V
Output tolerance	0,1 % F.S.
Zero tolerance	1 % F.S.
Linearity	0,03 % F.S.
Hysteresis	0,03 % F.S.
Reapeatability	0,03 % F.S.
Input resistance	350-360 ohm
Output resistance	350-351 ohm
Insulation resistance	>= 2000 Mohm
Creep (30 min)	0,03 % F.S.
Temperature range	-10 / +40° C
Max temperature range	-20 / +70° C
Temperature effect zero	0,003 % F.S. / °C
Temperature effect output	0,002 % F.S. / °C
Protection class	IP 67
Nominal load	11 t



Connections

SHIELDED CABLE 4C R5 PUR 4X0,25

Length	5 m (body lead cell not connected shield)
Red	+ IN
Black	- IN
Green	+ OUT
White	- OUT